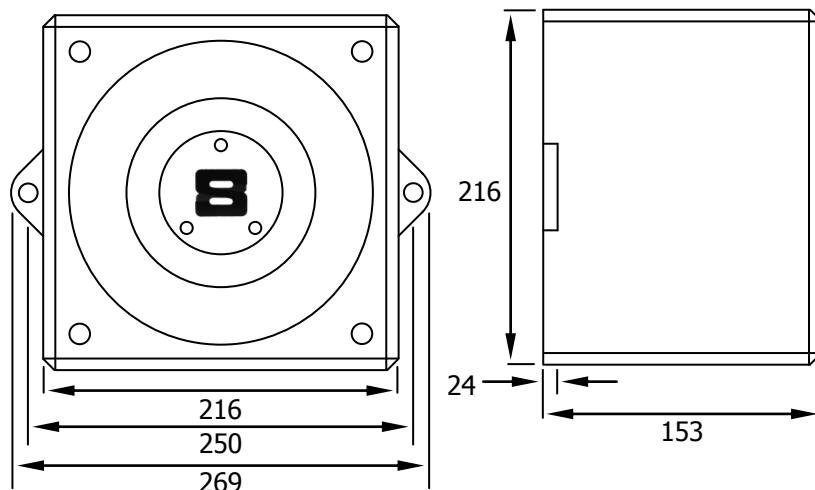




CE

- Max Output: 120dB(A)
- 32 Tone, 2 Stage Alarm
- IP Rating: 54 or 65 (Weather Resistant Version)
- Available Voltages: 12Vdc 24Vdc 48Vdc
115Vac 230Vac

Max. output	120dB
Alarm tones	32
Alarm stages	2
Volume control	None
IP rating std	54
IP rating WR	65
Cable entry	1 x M20
Terminal capacity	1 x 2.5mm ²
Max. RH	90% at 40°C
Operating temp.	-25°C to +55°C
Storage temp.	-40°C to +70°C
Body material	ABS
Body colour	Red Flame
Unit weight	DC — 3.21Kg AC — 3.58Kg



WR Weather Resistant Version

Approvals:

(specify required approval when ordering)

UL 1638, UL 464

C22.2 No. 205-M1983, CAN/ULC-5526-M87

BS EN 54-3 : 2001 incorporates amendment A1 : 2002

Voltage options	Voltage tolerance	Current
12 Vdc	+/- 10%	320mA
24 Vdc	+/- 10%	480mA*
48 Vdc	+/- 10%	220mA
115 Vac	+/- 10%	175mA
230 Vac	+/- 10%	90mA

*Nominal dB and mA values are based on the 800 to 1000 Hz alternating signal, BS5839 fire alarm tone at 24 Vdc. These values will vary for other alarm tones



Also available the YL8 Super with 2.5 and 5.0 Joule strobe.