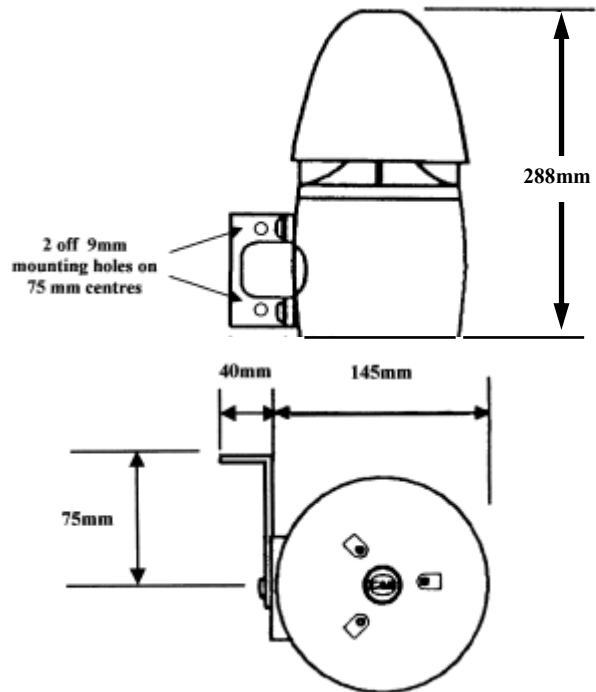


YO6 Flameproof Sounder

ATEX & UL approved

L G M
PRODUCTS



SPECIFICATION

Voltage Options	Voltage tolerance	Current mA*	Weight Kg.
230 Vac	+/- 10%	40 mA	4.50
115 Vac	+/- 10%	80 mA	4.50
24 Vdc	+/- 10%	350 mA	4.25

APPROVALS:

European Standards:

EN50014:1997+Amendments 1 and 2 EN50018:2000

EN50281-1-1:1998

ATEX Directive 94/9/EC

Baseefa02ATEX0212X II2 GD EEx d IIB T4 (Tamb -35C to +60C)

Baseefa02ATEX0222X II2 GD EEx d IIB+H2T4 (Tamb -20C to +60C)

Russian Approval GOST-R

International Certification IECEx

North American Approvals:

Underwriters Laboratories UL Standards

UL 464, UL 1203, UL 1638

Control No.8N30

UL Classifications

Class I Division 1, Gas Group BCD

CUL Canada

CSA C22.2 No.25-M1966, CSA C22.2 No. 30-M1986

LGM PRODUCTS LTD

UNIT 18 RIVERSIDE INDUSTRIAL ESTATE

FARNHAM

SURREY GU9 7UG

UNITED KINGDOM

Sound output *	110db
IP Rating	66
Alarm tones	32
Alarm Stages	2
Storage Temp	-40 to +70 °C
Op Temp	-20 to +66 °C
Cable entry:	Atex 2 x M20 UL 2 x 1/2" NPT
Terminal Capacity	1 x 2.5 mm ²
Body Colour	Red
Body Material	LM6 Aluminium

***NOTE:** Sound output and current consumption values are based on the 800 to 1000 Hz alternating signal, the standard UK fire alarm tone. These values will vary for other alarm tones

ORDER CODE:

YO6/Voltage/Approval Option

TEL +44 (0) 1252 725257

FAX +44 (0) 1252 727627

E-mail Sales@Lgmproducts.com

www.Lgmproducts.com