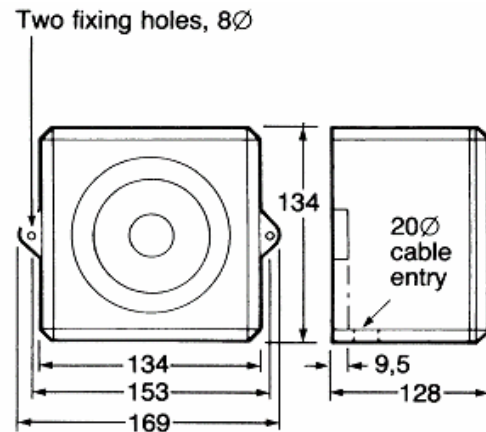


# Y05 sounder

## DC & AC Versions

**L G M**  
**PRODUCTS**



### SPECIFICATION

Voltage Options	Voltage tolerance	Current mA*	Weight Kg.
230 Vac	+/- 10%	14	0.80
115 Vac	+/- 10%	25	0.80
110Vdc	+/- 10%	22	0.80
48Vdc	+/- 10%	25	0.70
24Vdc	12-35 Vdc	34	0.70

**\*NOTE:** Sound output and current consumption values are based on the 800 to 1000 Hz alternating signal, the standard UK fire alarm tone. These values will vary for other alarm tones

<b>Sound output *</b>	105dB(A)
<b>IP Rating</b>	54
<b>IP Rating WR version</b>	66
<b>Alarm tones</b>	32
<b>Alarm Stages</b>	2
<b>Volume Control</b>	Yes
<b>Cable entry</b>	1 x M20
<b>Terminal Capacity</b>	1 x 2.5mm
<b>max RH</b>	90% RH (40 deg C)
<b>Op temp deg C</b>	-25 deg C to +55 deg C
<b>Storage temp deg C</b>	-40 deg C to +70 deg C
<b>Body Material</b>	ABS

**APPROVALS:** Vds Germany approved version available

#### **ORDER CODE:**

Y05/Voltage /WR version\*/Vds\*

\*optional

**LGM PRODUCTS LTD**  
**UNIT 18 RIVERSIDE INDUSTRIAL ESTATE**  
**FARNHAM**  
**SURREY GU9 7UG**  
**UNITED KINGDOM**

**TEL +44 (0) 1252 725257**  
**FAX +44 (0) 1252 727627**  
**E-mail Sales@Lgmproducts.com**  
**www.Lgmproducts.com**