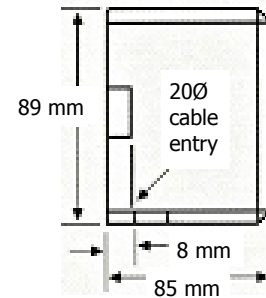
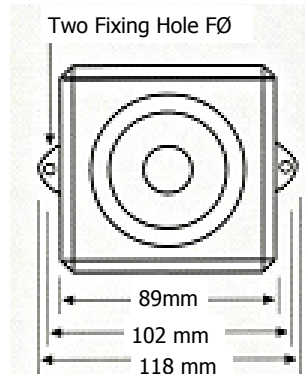


# Y03

## Electronic Sounder

**L G M**  
**PRODUCTS**



### SPECIFICATION

<b>Voltage Options</b>	<b>Voltage tolerance</b>	<b>Current mA*</b>	<b>Weight Kg.</b>	<b>Sound output *</b>	<b>100 dB(A)</b>
230 Vac	+/- 10%	12 mA	0.5	<b>IP Rating</b>	54
115 Vac	+/- 10%	25 mA	0.5	<b>IP Rating WR version</b>	65
24 Vdc	12-35 Vdc	32 mA	0.3	<b>Alarm tones</b>	32
				<b>Alarm Stages</b>	2
				<b>Volume Control</b>	18 dB(A)
				<b>Cable entry</b>	1 x M20
				<b>Terminal Capacity</b>	1 x 2.5mm
				<b>Max RH</b>	90% RH (40 °C)
				<b>Op Temp</b>	-25 deg C to +55 °C
				<b>Storage Temp</b>	-40 deg C to +70 °C
				<b>Body Material</b>	ABS

**\*NOTE:** Sound output and current consumption values are based on the 800 to 1000 Hz alternating signal, the standard UK fire alarm tone. These values will vary for other alarm tones

**APPROVALS:** Vds Germany approved version available

#### **ORDER CODE:**

Y03/Voltage /WR version\*/Vds\*

\*optional

**LGM PRODUCTS LTD**  
**UNIT 18 RIVERSIDE INDUSTRIAL ESTATE**  
**FARNHAM**  
**SURREY GU9 7UG**  
**UNITED KINGDOM**

**TEL +44 (0) 1252 725257**  
**FAX +44 (0) 1252 727627**  
**E-mail Sales@Lgmproducts.com**  
**www.Lgmproducts.com**