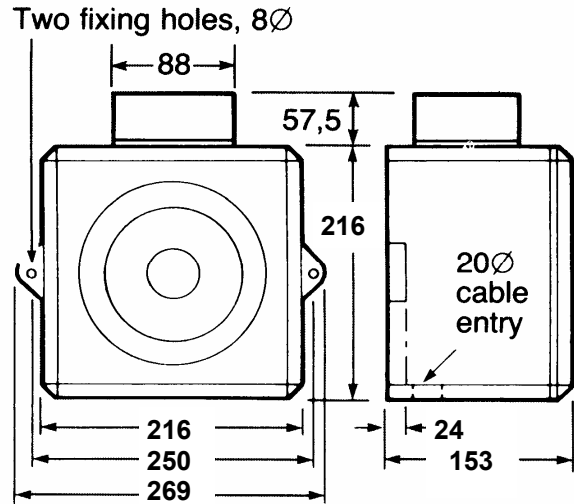


YL Super 8 beacon sounder

L G M
PRODUCTS



SPECIFICATION

Voltage Options	Voltage tolerance	Current mA*	Weight Kg.	Flash Energy
230 Vac	+/- 10%	125	4.0	5 joule
115 Vac	+/- 10%	245	4.0	5 joule
48Vdc	+/- 10%	455	3.5	5 Joules
24Vdc	+/- 10%	730	3.5	5 Joules
12Vdc	+/- 10%	520	3.5	5 Joules

***NOTE:** Sound output and current consumption values are based on the 800 to 1000 Hz alternating signal, the standard UK fire alarm tone. These values will vary for other alarm tones

Sound output *	121dB(A)
IP Rating	54
IP Rating WR version	65
Alarm tones	32
Alarm Stages	2
Volume Control	n/a
Cable entry	1 x M20
Terminal Capacity	2 x 2.5mm
max RH	90% RH (40 deg C)
Op temp deg C	-25 deg C to +55 deg C
Storage temp deg C	-40 deg C to +70 deg C
Body Material	ABS
Lens Material	Polycarbonate plastic
Lens colour options	Amber, blue, clear green, opal, red
Flash Rate	1 Hz

ORDER CODE:

YL8/Voltage/Lens colour/WR version*

*optional

LGM PRODUCTS LTD
UNIT 18 RIVERSIDE INDUSTRIAL ESTATE
FARNHAM
SURREY GU9 7UG
UNITED KINGDOM

TEL +44 (0) 1252 725257
FAX +44 (0) 1252 727627
E-mail Sales@Lgmproducts.com
www.Lgmproducts.com