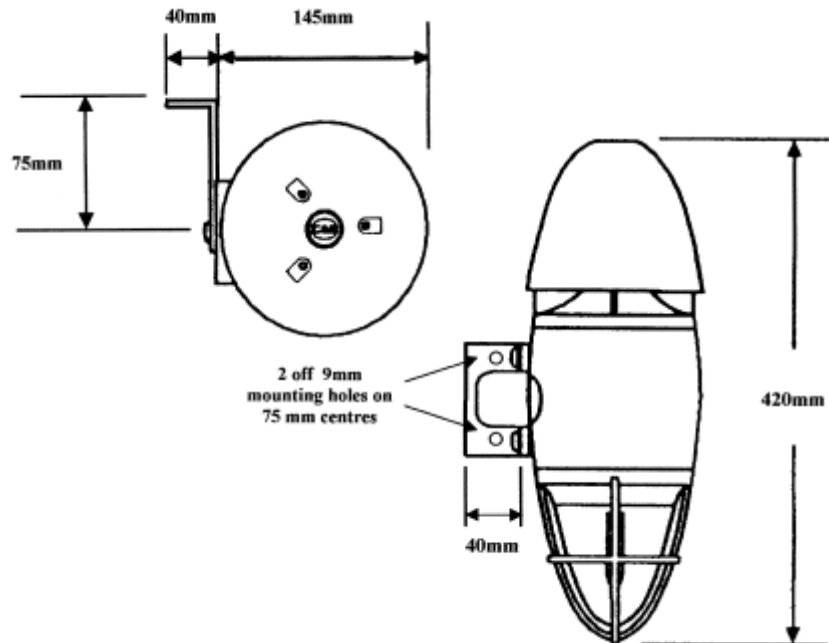


# YL6 ATEX Flameproof Combined Beacon Sounder

**L G M**  
**PRODUCTS**



## SPECIFICATION

Voltage Options	Voltage tolerance	Current mA*	Weight Kg.	Flash Energy	Sound output *	110 dB	
230 Vac	+/- 10%	80 mA	6.25	5 Joules	<b>IP Rating</b>	66	
115 Vac	+/- 10%	150 mA	6.25	5 Joules	<b>Alarm tones</b>	32	
24 Vdc	+/- 10%	570	6.0	5 Joules	<b>Alarm Stages</b>	3	
<b>*NOTE:</b> Sound output and current consumption values are based on the 800 to 1000 Hz alternating signal, the standard UK fire alarm tone. These values will vary for other alarm tones						<b>Storage Temp</b>	-40 to +70 °C
						<b>Op Temp</b>	-20 to +40 °C
						<b>Cable entry</b>	1 x M20
						<b>Terminal Capacity</b>	1 x 2.5 mm <sup>2</sup>
						<b>Flash Rate</b>	1 Flash per second
						<b>Lens Colour</b>	Red, green, blue, amber clear, opal
						<b>Strobe Dome Material</b>	Borosilicate Glass
						<b>Body Colour</b>	Red
						<b>Body Material</b>	LM6 Aluminium
						<b>Horn Material</b>	Flame retardant ABS

## **APPROVALS**

### **European Standards**

EN50014:1997+Amendments 1 and 2 EN50018:2000

EN50281-1-1:1998

### **ATEX Directive 94/9/EC**

Baseefa02ATEX0212X II2 GD EEx d IIB T4 (Tamb -35C to +60C)

Baseefa02ATEX0222X II2 GD EEx d IIB+H2T4 (Tamb -20C to +60C)

**Russian Approval GOST-R**

**International Certification IECEx**

## **LGM PRODUCTS LTD**

**UNIT 18 RIVERSIDE INDUSTRIAL ESTATE**

**FARNHAM**

**SURREY GU9 7UG**

**UNITED KINGDOM**

## **ORDER CODE:**

YL6dc /Voltage /Lens Colour /Approval option

**TEL +44 (0) 1252 725257**

**FAX +44 (0) 1252 727627**

**E-mail Sales@Lgmproducts.com**

**www.Lgmproducts.com**