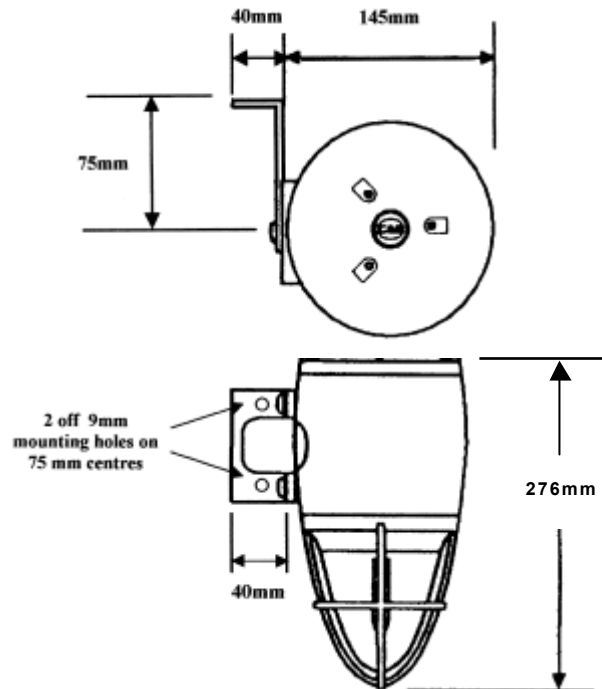


V6 Flameproof Beacon

ATEX & UL approved

L G M
PRODUCTS



SPECIFICATION

Voltage Options	Voltage tolerance	Current mA	Weight Kg.	Flash Energy
230 Vac	+/- 10%	40	4.25	5 Joules
115 Vac	+/- 10%	70	4.25	5 Joules
24 Vdc	+/- 10%	220	4.0	5 Joules

APPROVALS:

European Standards:

EN50014:1997+Amendments 1 and 2 EN50018:2000
EN50281-1-1:1998

ATEX Directive 94/9/EC

Baseefa02ATEX0212X II2 GD EEx d IIB T4 (Tamb -35C to +60C)
Baseefa02ATEX0222X II2 GD EEx d IIB+H2T4 (Tamb -20C to +60C)

Russian Approval GOST-R

International Certification IECEx

North American Approvals:

Underwriters Laboratories UL Standards

UL 464, UL 1203, UL 1638

Control No.13JM

UL Classifications

Class II Division 1, Gas Group EFG

CUL Canada

CSA C22.2 No.25-M1966, CSA C22.2 No. 30-M1986

IP Rating	66
Storage Temp	-40 to +70 °C
Op Temperature	-35 to +60 °C - IIB -35 to +60 °C - IIB+H ₂ -35 to +40 °C - Class II Div I UL Listed version.
Cable entry:	Atex 2 x M20 UL 2 x 1/2" NPT
Terminal Capacity	1 x 2.5 mm ²
Flash Rate	1 Flash per second
Lens Colour	Red, green, blue, amber clear, opal
Strobe Dome Material	Borosilicate Glass
Body Colour	Red
Body Material	LM6 Aluminium

ORDER CODE:

V6/Voltage/Lens Colour/Approval Option

LGM PRODUCTS LTD
UNIT 18 RIVERSIDE INDUSTRIAL ESTATE
FARNHAM
SURREY GU9 7UG
UNITED KINGDOM

TEL +44 (0) 1252 725257
FAX +44 (0) 1252 727627
E-mail sales@Lgmproducts.com
www.Lgmproducts.com