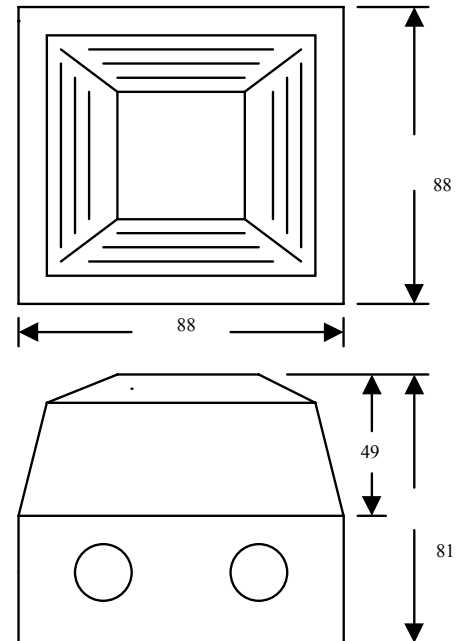


V4 Xenon Beacon

DC & AC Versions

L G M
PRODUCTS



SPECIFICATION

Voltage	Flash energy	Current mA	Weight Kg.		
230 Vac	5.0	35	0.30	IP Rating	65
115 Vac	5.0	70	0.30	Flash Rate	1 Hz
48Vdc	5.0	135	0.25	Max RH	90% @40°C
24Vdc	5	250	0.25	Storage temp deg C	-40 to +70
24Vdc	2.5	150	0.25	Op temp deg C	-25 to +40
12 Vdc	2.5	300	0.25	Lens colour options	Amber, blue, clear green, opal, red
				Base Colour options	Red, White
				Terminal capacity	1 x 2.5 mm ²
				Cable Entry	M20 knockouts
				Lens Material	Polycarbonate
				Base Material	ABS

APPROVALS:
Vds Germany

ORDER CODE:

V4/Voltage option/Joules Option/Lens Colour option/Base Colour option

LGM PRODUCTS LTD
UNIT 18 RIVERSIDE INDUSTRIAL ESTATE
FARNHAM
SURREY GU9 7UG
UNITED KINGDOM

TEL +44 (0) 1252 725257
FAX +44 (0) 1252 727627
E-mail Sales@Lgmproducts.com
www.Lgmproducts.com