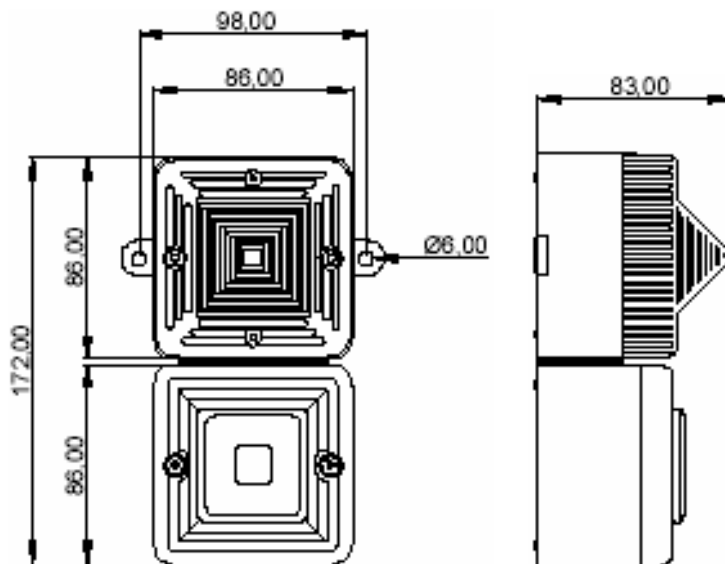


SONFL1 Sonora Combined Beacon Sounder

L G M
PRODUCTS



SPECIFICATION

Voltage Options	Voltage tolerance	Current mA*	Weight Kg.	Sound output *	100dB
24Vdc	20 - 28Vdc	275mA	0.40	IP Rating	55
12Vdc	10—14Vdc	525mA	0.40	IP Rating WR version	56
				Alarm tones	10
				Alarm Stages	2
				Volume Control	Yes
				Cable entry	4 X gland knockouts
				Terminal Capacity	1 x 2.5mm ²
				max RH	90% at 20 deg C
				Op temp deg C	-25 to +55
				Storage temp deg C	-40 to +70
				Body Material	UL94V0 & 5VA rated FR ABS
				Base Colours	Red, Grey, White
				Lens Colours	Amber, Blue, Clear, Green, Opal, Yellow, Red

***NOTE:** Sound output and current consumption values are based on the 800 to 1000 Hz alternating signal, the standard UK fire alarm tone. These values will vary for other alarm tones

APPROVALS: UL America approved version available*

ORDER CODE:

SONFL1/DC/Voltage /Housing Colour/Lens Colour/ UL *option

LGM PRODUCTS LTD
UNIT 18 RIVERSIDE INDUSTRIAL ESTATE
FARNHAM
SURREY GU9 7UG
UNITED KINGDOM

TEL +44 (0) 1252 725257
FAX +44 (0) 1252 727627
E-mail sales@Lgmproducts.com
www.Lgmproducts.com