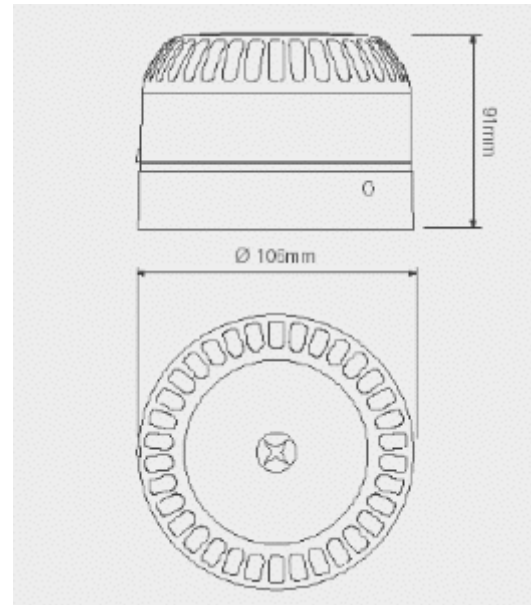


Solex Beacon

DC Voltage Xenon Beacon
(Mains adapter available)

L G M
PRODUCTS



SPECIFICATION

Type	Voltage Range	Current mA	Light Output
Solex 3*	10-60Vdc	35mA @ 24Vdc	2.5 Cd
Solex 10*	10-60Vdc	80mA @ 24Vdc	10 Cd
Solex 15	10-60Vdc	220mA @ 24Vdc	15 Cd

* The Solex 3 and Solex 10 will operate at 110Vac/230Vac when used with a Mains powered base available in Deep Base only in either red or white. The approximate current consumption is 15mA

IP Rating	Shallow Base: 54 Deep/U Base: 65
Flash Rate	1Hz
Weight	Shallow Base: 0.15kg Deep/U Base: 0.18kg
Base Options:	Shallow, Deep and U-base
Op Temp	-25°C to + 70°C
Lens colour options	Red, Amber, Blue, Green, and Clear
Base Colour options	Red, White
Lens Material	Polycarbonate
Base Material	Flame Retardant ABS

LGM PRODUCTS LTD
UNIT 18 RIVERSIDE INDUSTRIAL ESTATE
FARNHAM
SURREY GU9 7UG
UNITED KINGDOM

TEL +44 (0) 1252 725257
FAX +44 (0) 1252 727627
E-mail Sales@Lgmproducts.com
www.Lgmproducts.com