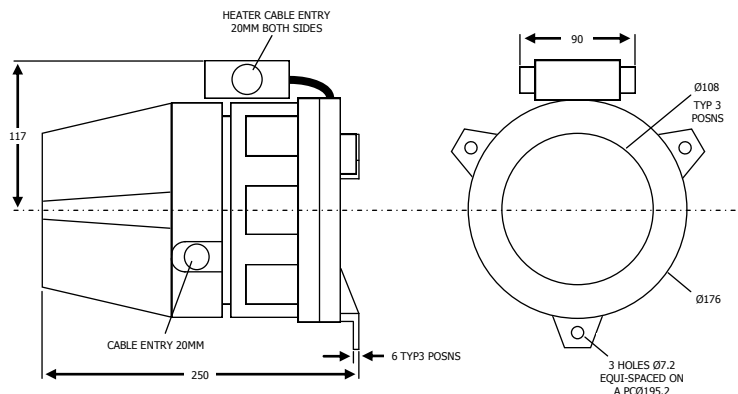




CE

- Max Output: 125db(A)
- Motor Driven Siren
- IP Rating: 55
- Available Voltages: 110Vdc 230Vdc  
110Vac 230Vac

<b>Output</b>	125dB 116dB (24Vdc version)
<b>Frequency</b>	900 Hz
<b>Rating</b>	Continuous
<b>IP rating</b>	55
<b>Cable entry</b>	20mm
<b>Operating temp.</b>	-30°C to +45°C
<b>Body material</b>	Cast Aluminium Body Noryl Rotor
<b>Body colour options</b>	Grey
<b>Unit weight</b>	4.5 Kg



<b>Voltage options</b>	<b>Voltage tolerance</b>	<b>Current</b>
24 Vdc	+/- 10%	8.0A
110 Vdc	+/- 10%	2.7A
230 Vdc	+/- 10%	1.2A
110 Vac	+/- 10%	3.0A
230 Vac	+/- 10%	1.4A

**Approvals:**  
(specify required approval when ordering)  
EN54-3 compliant.  
Manufacturer's declarations available on request.