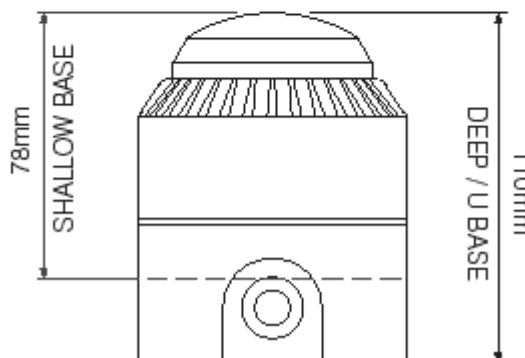
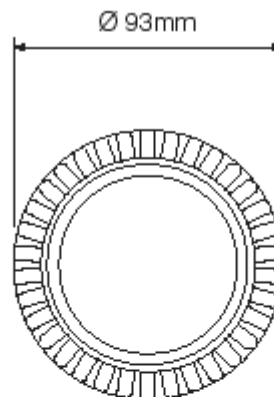




- Sound Output: 101dB(A)
- Light Output: 0.5/1/3 Cd.
- 32 Tone, 2 Stage Alarm
- IP Rating: 54/65
- Available LED Colours: Red
- Available Voltages: 12Vdc 24Vdc
115Vac 230Vac

Sound output	101dB
Alarm tones	32
Alarm stages	2
Volume control	10dB
Light source	LED Array
Light output	0.5/1/3 Cd. (user selectable)
Flash rate	1Hz
IP rating	54 (shallow base) 65 (deep base, powered base, U base)
Cable entry	Cut-outs (shallow base) M20 Knockouts (deep/U Base)
Terminal capacity	0.5 to 2.5mm ² cables
Operating temp.	-10°C to +55°C
Body material	Flame Resistant ABS
Body colour options	Red, White
Lens material	Polycarbonate
LED colour options	Red
Base options	Shallow base (DC) Deep base (DC) U base (DC) Powered deep base (AC)
Unit weight	0.30Kg (shallow base) 0.40Kg (deep, powered & U bases)



Voltage options	Voltage tolerance	Current
12 Vdc	9 to 28 Vdc	36mA
24 Vdc	9 to 28 Vdc	19mA

Approvals:
(specify required approval when ordering)
EN54-3 compliant.

Available for use with 115Vac and 230Vac power supplies by using the powered base. Please see the powered base data sheet for details.



The RoLP Maxi Solista is a higher output audible visual alarm which still only requires one mounting point