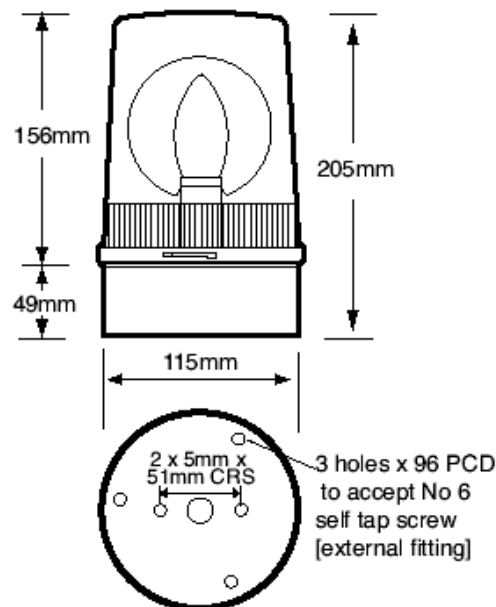


R201/200

Rotating Beacon

L G M
PRODUCTS



SPECIFICATION

Part No	Voltage	Light Source	Current	IP Rating	65
R201-13	12Vdc	H1 x 55w	4.7A	RPM DC	160 (+/- 30)
R201-14	24Vdc	H1 x 70w	3.00A	RPM AC	120
R201-29	24Vdc*	Ba15d x 48w	4.00A	Weight	0.83kg
R201-60	12Vdc	H1 x 70w	3.00A	Op temp deg C	-10°C to +66°C
R201-61	24Vdc*	Ba15s x10w	0.60A	Lens colour options	Amber, Red, Blue Green, Clear
R201-62	12Vdc	Ba15d x 21w	0.95A	Base Colour	Black
R201-63	24Vdc	Ba15d x 48w	2.00A	Lens material	UV Stable Polycarbonate
R201-64	48Vdc	Ba15d x 35w	0.80A	Base Material	UV Stable ABS
R200-03	24Vac	Ba15d x 48w	2.00A	Rating	Continuous
R200-02	48Vac	Ba15d x 35w	0.55A		
R200-04†	115Vac	Ba15d x 60w	0.55A		
R200-05†	230Vac	Ba15d x 60w	0.29A		

Light Source: H1 = Halogen Lamp Ba15= Conventional Tungsten Filament Lamp

*Diode Polarised † Available with magnetic base, add 'MB' to order code below

ORDER CODE:

PART No/Lens Colour

LGM PRODUCTS LTD
UNIT 18 RIVERSIDE INDUSTRIAL ESTATE
FARNHAM
SURREY GU9 7UG
UNITED KINGDOM

TEL 44 (0) 1252 725257
FAX 44 (0) 1252 727627
E-mail sales@Lgmproducts.com
www.Lgmproducts.com