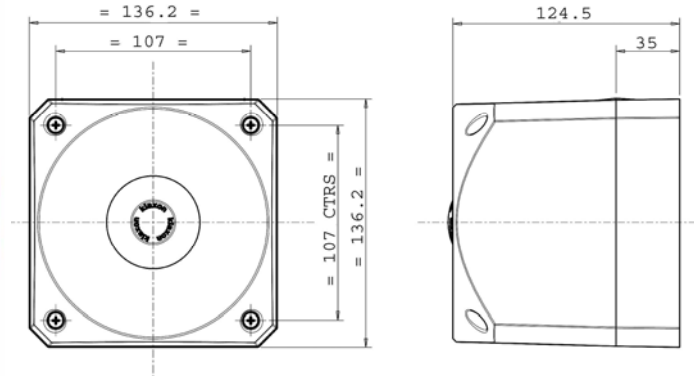


NEXUS 105

Electronic Sounder

L G M
PRODUCTS



SPECIFICATION:

Voltage Options	Voltage tolerance	Current mA	Sound output at 1 metre	105db(A)
105 db version			IP Rating	66
110 /230 Vac	+/- 10%	40 mA max	Alarm tones	64
24 Vdc	10 to 60 Vdc	8 to 40 mA	Alarm Stages	3
			Volume Control	yes
			Cable entry	M20 knockouts
			Terminal Capacity	2 x 2.5 mm ²
			Op temp deg C	-25 to +55°C
			Storage temp deg C	-40 to + 75°C
			Body Material	ABS
			Weight	1kg

ORDER CODE: Nexus105/Voltage

LGM PRODUCTS LTD
UNIT 18 RIVERSIDE INDUSTRIAL ESTATE
FARNHAM
SURREY GU9 7UG
UNITED KINGDOM

TEL +44 (0) 1252 725257
FAX +44 (0) 1252 727627
E-mail Sales@Lgmproducts.com
www.Lgmproducts.com