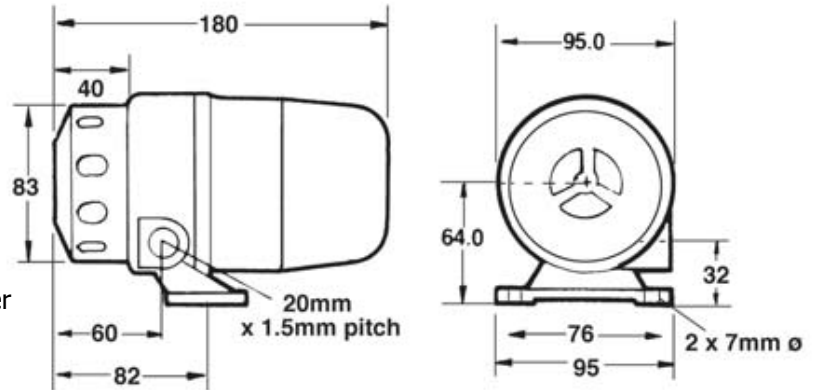




CE

- Max Output: 103db(A)
- Motor Driven Siren
- IP Rating: 44
- Available Voltages: 24Vdc
110Vac 230Vac

Output	120dB
Frequency	1800 Hz
Rating	Continuous
IP rating	65
Cable entry	1
Operating temp.	-30°C to +45°C
Unit material	Cast aluminium body ABS rotor/stator/cover
Body colour options	Red/Black
Unit weight	1.7 Kg



Approvals:
(specify required approval when ordering)
EN54-3 compliant.
Manufacturer's declarations available on request.

Voltage options	Voltage tolerance	Current
110 Vdc	+/- 10%	0.8A
230 Vdc	+/- 10%	0.4A
110 Vac	+/- 10%	1.0A
230 Vac	+/- 10%	0.5A