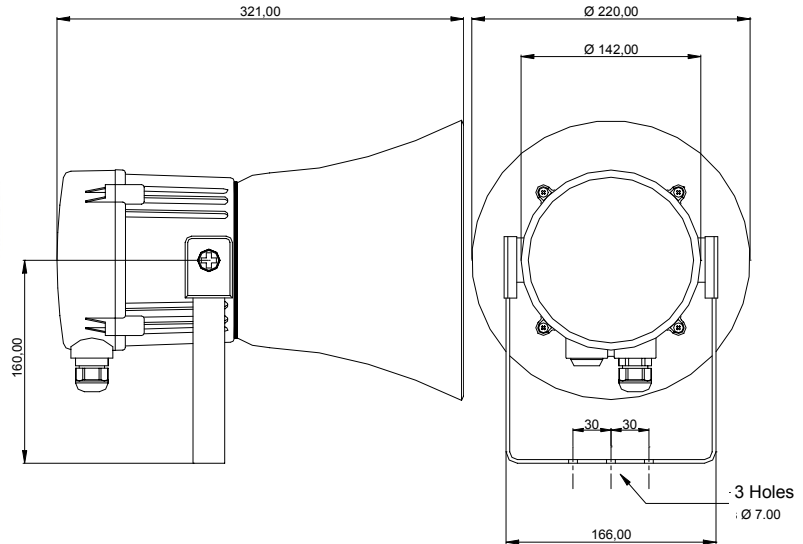


MA121 Sounder

L G M
PRODUCTS



SPECIFICATION

Voltage Options	Voltage tolerance	Current mA*	Weight Kg.	Sound output *	121dB
230 Vac	+/- 10%	90 mA	3.75	IP Rating	67
115 Vac	+/- 10%	150 mA	3.75	Alarm tones	45
24 Vac	+/- 10%	1000 mA	3.75	Alarm Stages	3
24 Vdc	10 to 30	950 mA	3.50	Volume Control	Yes
48 vdc	35-60	600 mA	3.50	Cable entry	2 x M20 Gland Entries
				Terminal Capacity	4.0 mm ²
				Max RH	90% at 20 °C
				Op Temp	-25 to +55 °C
				Storage Temp	-40 to +70 °C
				Body Material	UL94V0 FR ABS

***NOTE:** Sound output and current consumption values are based on the 800 to 1000 Hz alternating signal, the standard UK fire alarm tone. These values will vary for other alarm tones

ORDER CODE:
MA121/Voltage

LGM PRODUCTS LTD
UNIT 18 RIVERSIDE INDUSTRIAL ESTATE
FARNHAM
SURREY GU9 7UG
UNITED KINGDOM

TEL +44 (0) 1252 725257
FAX +44 (0) 1252 727627
E-mail Sales@Lgmproducts.com
www.Lgmproducts.com