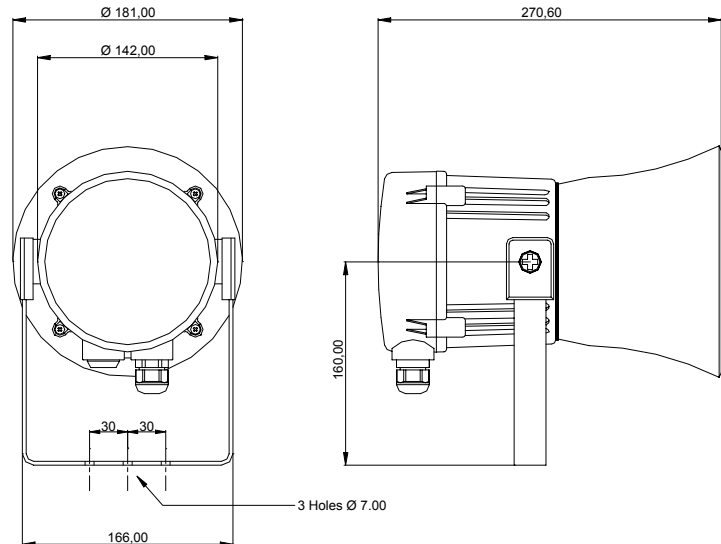


# MA112 sounder

## DC & AC Versions

**L G M**  
**PRODUCTS**



### **SPECIFICATION**

<b>Voltage Options</b>	<b>Voltage tolerance</b>	<b>Current mA*</b>	<b>Weight Kg.</b>	<b>Sound output *</b>	<b>112dB</b>
230 Vac	+/- 10%	60 mA	3.50	<b>IP Rating</b>	67
115 Vac	+/- 10%	110 mA	3.50	<b>Alarm tones</b>	45
24 Vac	+/- 10%	500 mA	3.50	<b>Alarm Stages</b>	3
48 Vdc	35 to 60	120 mA	3.00	<b>Volume Control</b>	Yes
24 Vdc	10 to 30	200 mA	3.00	<b>Cable entry</b>	2 x 20mm Gland Entries
				<b>Terminal Capacity</b>	4.0 mm <sup>2</sup>
				<b>Max RH</b>	90% at 20 °C
				<b>Op Temp</b>	-25 to +55 °C
				<b>Storage Temp</b>	-40 to +70 °C
				<b>Body Material</b>	UL94V0 FR ABS

**\*NOTE:** Sound output and current consumption values are based on the 800 to 1000 Hz alternating signal, the standard UK fire alarm tone. These values will vary for other alarm tones

**ORDER CODE:**  
MA112/Voltage

**LGM PRODUCTS LTD**  
**UNIT 18 RIVERSIDE INDUSTRIAL ESTATE**  
**FARNHAM**  
**SURREY GU9 7UG**  
**UNITED KINGDOM**

**TEL +44 (0) 1252 725257**  
**FAX +44 (0) 1252 727627**  
**E-mail Sales@Lgmproducts.com**  
**www.Lgmproducts.com**