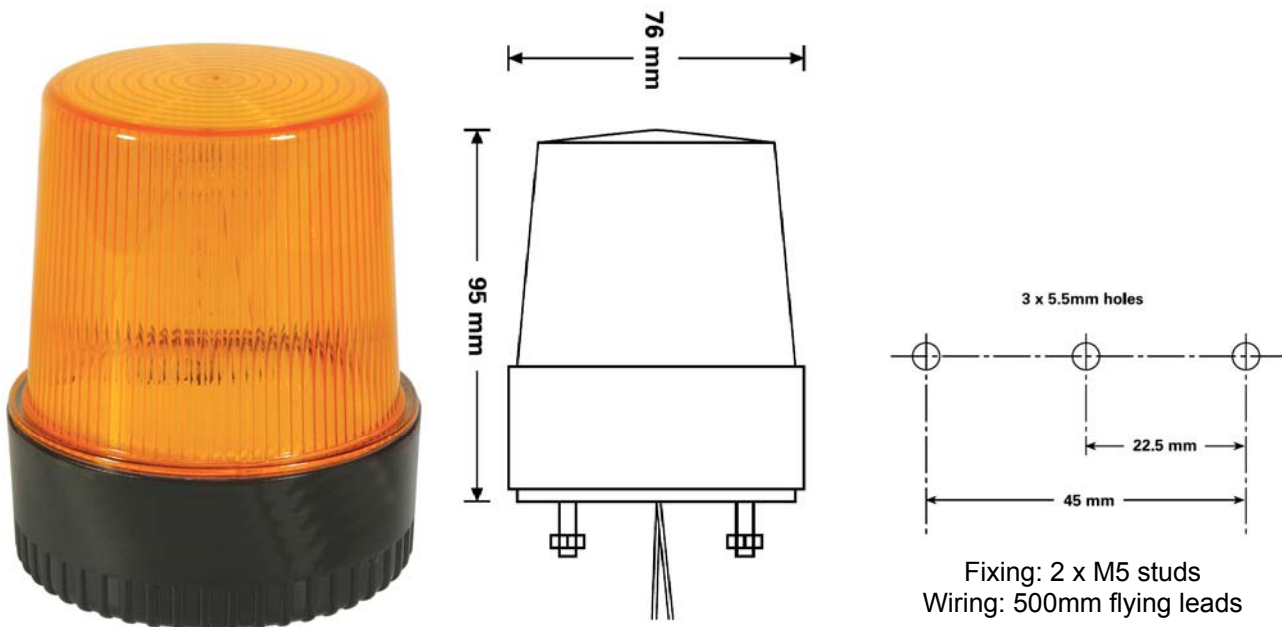


# LT Series Xenon Beacons

**L G M**  
**PRODUCTS**



## SPECIFICATION

Voltage	Flash Energy (watts)	Current mA	Weight Kg.		
230 Vac	5	40	0.2	<b>IP Rating</b>	67
110 Vac	5	50	0.2	<b>Flash Rate</b>	1 Hz
22 - 72 Vac 10 - 100Vdc*	5	100	0.2	<b>Max RH</b>	90% @40°C
48Vdc	5	110	0.2	<b>Storage temp</b>	-40 to +70 °C
24Vdc	5	160	0.2	<b>Op temp</b>	-20 to +55 °C
12 Vdc	5	360	0.2	<b>Lens colour options</b>	Amber, blue, clear green, red
				<b>Lens Material</b>	Polycarbonate
				<b>Base Material</b>	Polycarbonate

\* Multi voltage version, this unit will automatically accept any voltage within the range specified

**Order code:** LT/voltage option / lens colour option

**LGM PRODUCTS LTD**  
**UNIT 18 RIVERSIDE INDUSTRIAL ESTATE**  
**FARNHAM**  
**SURREY GU9 7UG**

**TEL +44 (0) 1252 725257**  
**FAX +44 (0) 1252 727627**  
**E-mail Sales@Lgmproducts.com**  
**www.Lgmproducts.com**