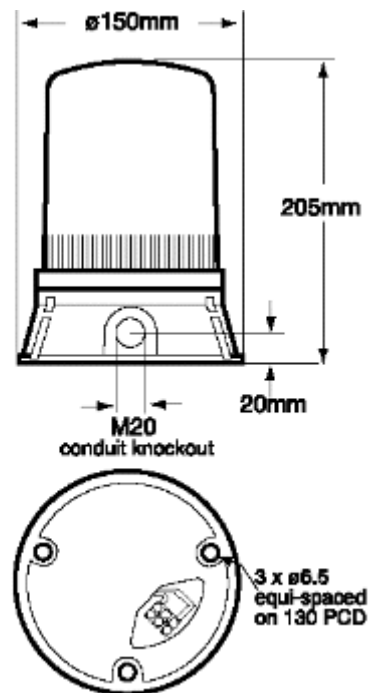


LED 401-400

LED Beacon

L G M
PRODUCTS



SPECIFICATION

Model No	Voltage	Current		
		Flashing	Rotating	Static
LED401-02	24Vdc	50mA	100mA	50mA
LED400-04	115/230Vac	70mA	30mA	70mA

IP Rating	65
Light Source	144 LED Array
Weight	1.0 Kg AC 0.6 Kg DC
Op temp °C	-20°C to +40°C

Lens colour options	Red, Amber
Base Colour	Black
Lens material	UV Stable polycarbonate
Base Material	UV Stable ABS Plastic
Rating	Continuous
Operation Modes	Flashing (1Hz) Rotating (2 Bar 120rpm) Static

ORDER CODE: L501 Model/Colour

LGM PRODUCTS LTD
UNIT 18 RIVERSIDE INDUSTRIAL ESTATE
FARNHAM
SURREY GU9 7UG
UNITED KINGDOM

TEL 44 (0) 1252 725257
FAX 44 (0) 1252 727627
E-mail sales@Lgmproducts.com
www.Lgmproducts.com