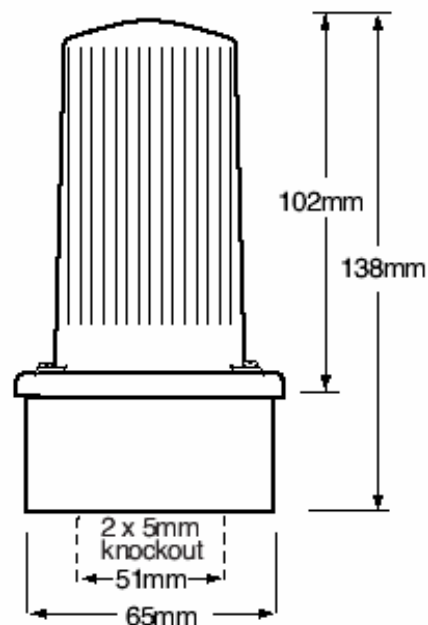


LED125

Flashing/Static Beacon

L G M
PRODUCTS



SPECIFICATION

Voltage	Current (Amber)	Current (Red)	IP Rating	65
24 Vdc	450mA	250mA	Light Source	48 Ultra Bright LED Array
115 Vac	450mA	250mA	Weight	0.27kg
230 Vac	450mA	250mA	Op temp deg C	-20°C to +45°C
			LED colour options	Amber, Red
			Operation Modes	Flashing (60Hz), Static
			Base Colour	Black
			Lens material	UV Stable Polycarbonate
			Base Material	UV Stable ABS
			Rating	Continuous

ORDER CODE: LED125/Voltage/LED Colour

LGM PRODUCTS LTD
UNIT 18 RIVERSIDE INDUSTRIAL ESTATE
FARNHAM
SURREY GU9 7UG
UNITED KINGDOM

TEL 44 (0) 1252 725257
FAX 44 (0) 1252 727627
E-mail sales@Lgmproducts.com
www.Lgmproducts.com