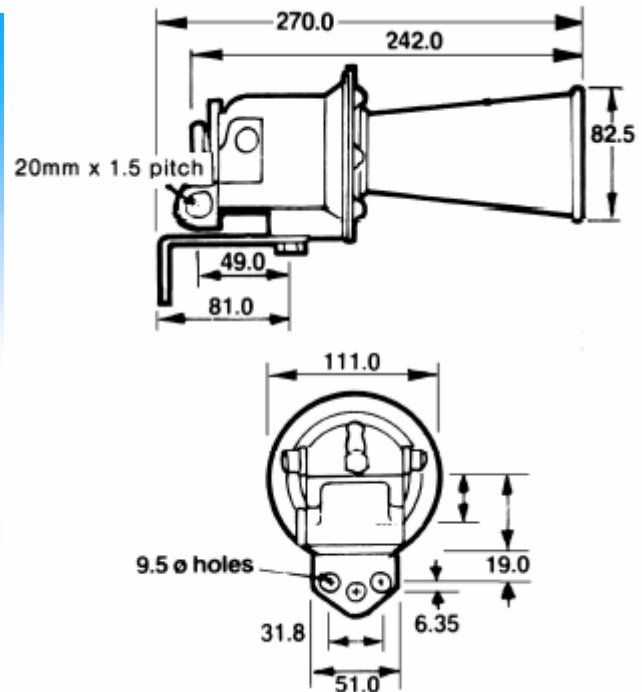


Motor Driven Hooter

With Unique “Klaxon” Sound

(Previously known as the Klaxon Klaxet)

L G M
PRODUCTS



SPECIFICATION

Voltage Options	Voltage tolerance	Current Amps	Weight Kg.
230 Vac	+/- 10%	0.33	1.6
110 Vac	+/- 10%	0.5	1.6
24 Vdc	+/- 10%	1.0	1.6
12 Vdc	+/- 10%	2.5	1.6

Sound output	111 db (A)
IP Rating	IP54
Cable Entry	2 x M20
Operating Temp	-20 to +40 °C
Body Material	Cast Iron/Brass
Body Colour	Grey
Sound Frequency	470 Hz
Duty Rating	On 1 minute, off 5 minutes

ORDER CODE:
AHKLAXET/Voltage

LGM PRODUCTS LTD
UNIT 18 RIVERSIDE INDUSTRIAL ESTATE
FARNHAM
SURREY GU9 7UG
UNITED KINGDOM

TEL +44 (0) 1252 725257
FAX +44 (0) 1252 727627
E-mail Sales@Lgmproducts.com
www.Lgmproducts.com