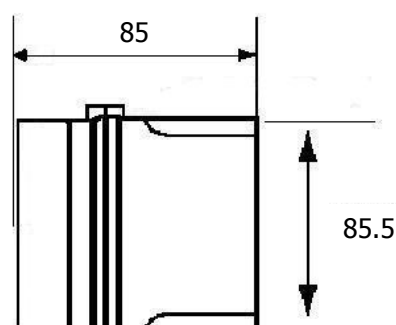
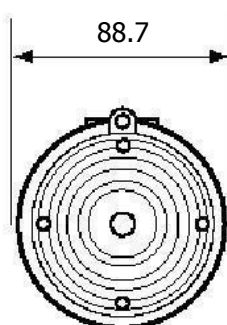


# IS-minialite

## Intrinsically safe LED beacon

**L G M**  
**PRODUCTS**



### SPECIFICATION

<b>Voltage Options</b>	<b>Voltage tolerance</b>	<b>Current mA</b>	<b>Weight Kg.</b>	<b>IP Rating</b>	65
24 Vdc	16 - 28 Via Zener Barrier	25 mA	0.5kg	<b>Cable entry</b>	2 x M20 Knockouts
				<b>Terminal Capacity</b>	0.5 to 2.5mm <sup>2</sup> cables
				<b>Max RH</b>	90% at 50 °C
				<b>Op Temp</b>	-40 to +60 °C
				<b>Storage Temp</b>	-40 to +70 °C
				<b>Body Material</b>	ABS flame retardant UL94V0 & 5VA
				<b>Lens colour options</b>	Red, Amber, Blue & Green, Clear
				<b>Light Source</b>	Array of 6 high intensity L.E.D's
				<b>Flash Rate</b>	2 flash modes: double flash @ 2Hz and 1Hz

**This product must ALWAYS be powered via a suitable intrinsically safe barrier. LGM recommends the MTL5025 I S alarm driver. Please contact us for further information**

#### **APPROVALS:**

**EU: SIRA Certified—ATEX Compliant**

**Zones 0, 1 & 2, Gas group IIC**

**II 1G EEX ia IIC T4 (-40°C ≤ Ta ≤ +60°C)**

#### **Other Approvals:**

**IECEX Certificate number : IECEX SIR06.0045X**

**FM approved: IS Class I, Zone 0, AEx ia IIC**

**T4IS Class I, Division 1, Groups A, B, C, D**

#### **ORDER CODE:**

IS-mB1-R/Lens Colour/approval requirement

**LGM PRODUCTS LTD**  
**UNIT 18 RIVERSIDE INDUSTRIAL ESTATE**  
**FARNHAM**  
**SURREY GU9 7UG**  
**UNITED KINGDOM**

**TEL 44 (0) 1252 725257**  
**FAX 44 (0) 1252 727627**  
**E-mail sales@Lgmproducts.com**  
**www.lgmproducts.com**