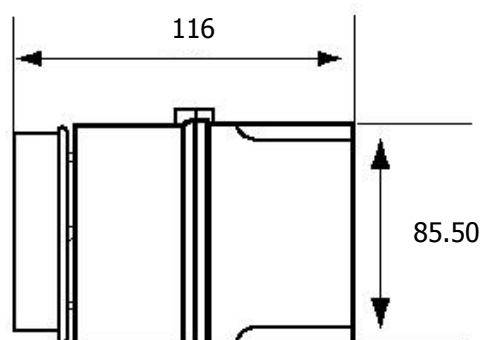
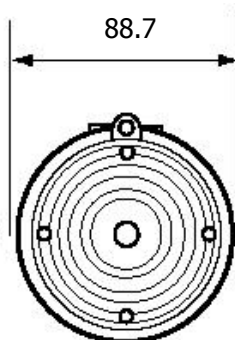


# IS-minialert

Combined intrinsically safe  
sounder & LED beacon

**L G M**  
**PRODUCTS**



## SPECIFICATION

<b>Voltage Options</b>	<b>Voltage tolerance</b>	<b>Current mA*</b>	<b>Weight Kg.</b>	<b>Sound output *</b>	<b>100dBA</b>
24 Vdc	16-28vdc Via Zener Barrier	48 mA	0.6kg	<b>IP Rating</b>	65
				<b>Alarm tones</b>	32
				<b>Alarm Stages</b>	3
				<b>Cable entry</b>	M20 Knockouts
				<b>Terminal Capacity</b>	0.5 to 2.5mm <sup>2</sup> cables
				<b>Op Temp</b>	-40 to +60 °C
				<b>Storage Temp</b>	-40 to +70 °C
				<b>Body Material</b>	ABS flame retardant UL94V0 & 5VA
				<b>Lens colour options</b>	Red, Amber, Blue & Green, Clear
				<b>Light Source</b>	Array of 6 high intensity L.E.D's
				<b>Flash Rate</b>	2 flash modes: double flash @ 2Hz and 1Hz

**\*NOTE:** Sound output and current consumption values are based on the 800 to 1000 Hz alternating signal, the standard UK fire alarm tone. These values will vary for other alarm tones

**This product must ALWAYS be powered via a suitable intrinsically safe barrier. LGM recommends the MTL5025 I S alarm driver. Please contact us for further information**

### **APPROVALS:**

**EU: SIRA Certified—ATEX Compliant  
Zones 0, 1 & 2, Gas group IIC**

**II 1G EEx ia IIC T4 (-40°C ≤ Ta ≤ +60°C)**

### **Other Approvals:**

**IECEX Certificate number :IECEX SIR06.0045X**

**FM approved: IS Class I, Zone 0, AEx ia IIC  
T4IS Class I, Division 1, Groups A, B, C, D**

### **ORDER CODE:**

IS-mC1-R/lens colour/approval requirement

**LGM PRODUCTS LTD  
UNIT 18 RIVERSIDE INDUSTRIAL ESTATE  
FARNHAM  
SURREY GU9 7UG  
UNITED KINGDOM**

**TEL 44 (0) 1252 725257  
FAX 44 (0) 1252 727627  
E-mail sales@Lgmproducts.com  
www.lgmproducts.com**