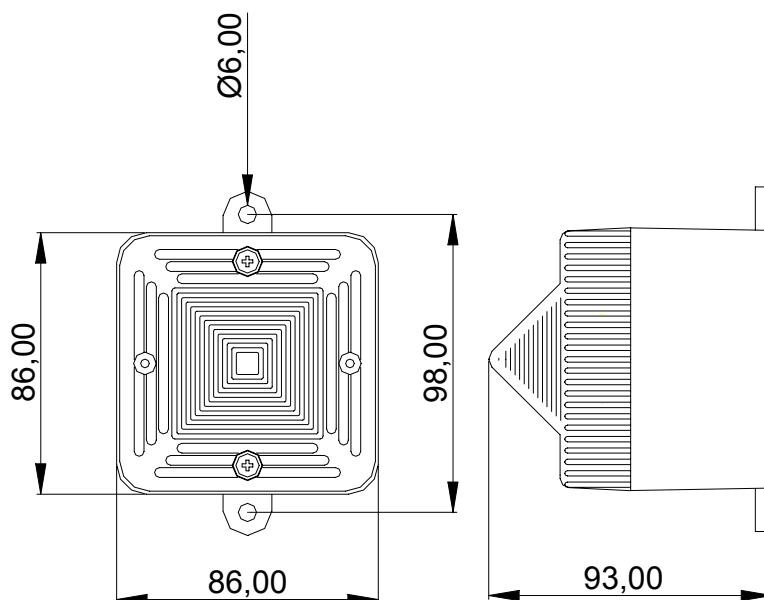


IS-L101L

Intrinsically safe L.E.D.
warning beacon

L G M
PRODUCTS



SPECIFICATION

| Voltage Options | Voltage tolerance | Current mA | Weight Kg. |
|-----------------|-------------------|------------|------------|
| 24 Vdc | 16 - 28 | 25 mA | 0.25 |

Via Zener Barrier or galvanic isolator

This product must ALWAYS be powered via a suitable intrinsically safe barrier such as MTL5025

Contact us for barrier information

APPROVALS:

EU: SIRA Certified—ATEX Compliant

Zones 0, 1 & 2, Gas group IIC

Ex II 1G EEx ia IIC T4 (-40°C ≤ Ta ≤ +60°C)

Other Approvals:

IECEX Certificate no.: IECEX SIR 04.0039X

ORDER CODE:

IS-L101L IS/Lens Colour/Approval requirement

LGM PRODUCTS LTD
UNIT 18 RIVERSIDE INDUSTRIAL ESTATE
FARNHAM
SURREY GU9 7UG
UNITED KINGDOM

| | |
|----------------------------|----------------------------------|
| IP Rating | 66 |
| Cable entry | M20 Knockouts |
| Terminal Capacity | 0.5 to 2.5mm ² cables |
| Max RH | 95% at 40 °C |
| Op Temp | -40 to +60 °C |
| Storage Temp | -40 to +70 °C |
| Body Material | UL94VO FR ABS |
| Lens Material | Polycarbonate |
| Lens colour options | Amber, green, blue red |
| Flash Rate | 1 Hz |

TEL +44 (0) 1252 725257
FAX +44 (0) 1252 727627
E-mail Sales@Lgmproducts.com
www.Lgmproducts.com