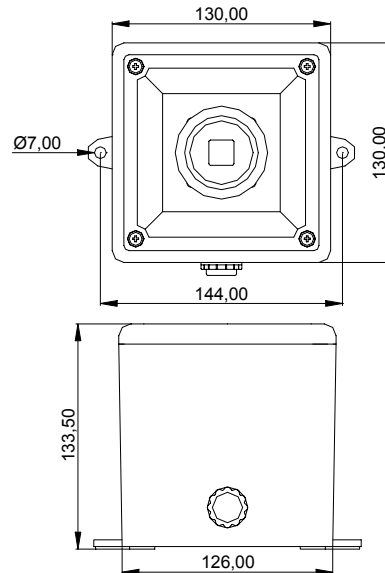


IS-A105N

Intrinsically Safe sounder

L G M
PRODUCTS



SPECIFICATION

Voltage Options	Voltage tolerance	Current mA*	Weight Kg.
24 Vdc	16 - 28Vdc	25 mA	1.00
Via Zener Barrier or galvanic isolator			

***NOTE:** Sound output and current consumption values are based on the 800 to 1000 Hz alternating signal, the standard UK fire alarm tone. These values will vary for other

This product must ALWAYS be powered via a suitable intrinsically safe barrier such as MTL5025

APPROVALS:

EU: SIRA Certified—ATEX Compliant
Zones 0, 1 & 2, Gas group IIC

Ex II 1G EEX ia IIC T4 (-40°C ≤ Ta ≤ +60°C)

Other Approvals:

IECEX Certificate no.: IECEX SIR 04.0039X

Sound output *	105dB(A)
IP Rating	66
Alarm tones	49
Alarm Stages	3
Cable entry	M20 knockouts
Terminal Capacity	1 x 2.5 mm ²
Op Temp	-40 to +60 °C
Storage Temp	-40 to +70 °C
Body Material	UL94V0 FR UBS
Body Colour	Red, Grey, White

ORDER CODE: IS-A105N/Body Colour/ Approval requirement

LGM PRODUCTS LTD
UNIT 18 RIVERSIDE INDUSTRIAL ESTATE
FARNHAM
SURREY GU9 7UG
UNITED KINGDOM

TEL +44 (0) 1252 725257
FAX +44 (0) 1252 727627
E-mail Sales@Lgmproducts.com
www.Lgmproducts.com