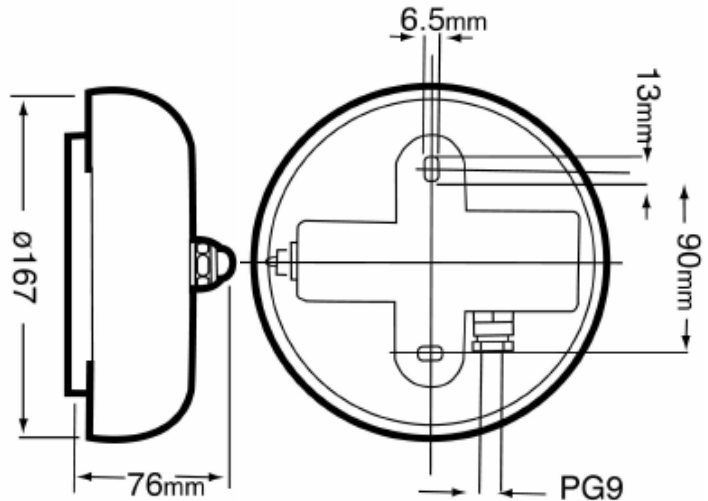


IP66 BELL

AC & DC Versions

L G M
PRODUCTS



SPECIFICATION

Voltage Options	Voltage tolerance	Current mA	Weight Kg.
230 Vac	+/- 10%	50 mA	1.00
110 Vac	+/- 10%	90 mA	1.00
24Vdc	+/- 10%	300 mA	1.00
12 Vdc	+/- 10%	600 mA	1.00

Sound output	100 db
IP Rating	IP66
Cable entry	PG9 Gland
Operating Temp	-30 to +50 °C
Dome Material	Steel
Dome Colour	Grey
Duty Rating	Continuous

ORDER CODE:
IP66 Bell/Voltage

LGM PRODUCTS LTD
UNIT 18 RIVERSIDE INDUSTRIAL ESTATE
FARNHAM
SURREY GU9 7UG
UNITED KINGDOM

TEL +44 (0) 1252 725257
FAX +44 (0) 1252 727627
E-mail Sales@Lgmproducts.com
www.Lgmproducts.com