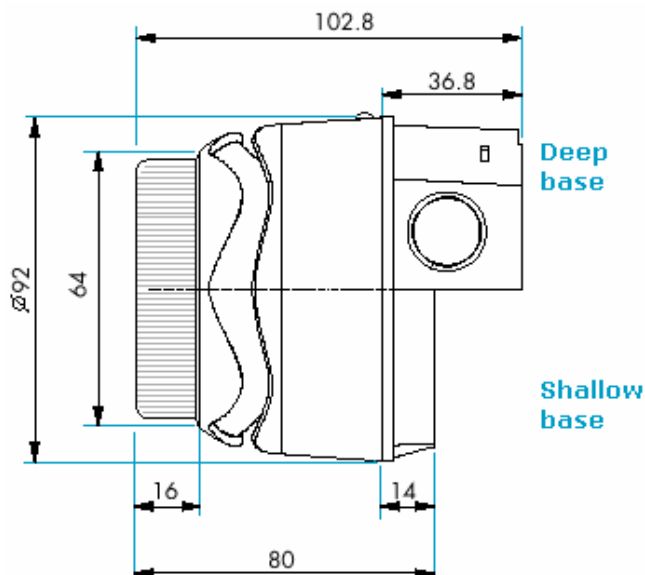


FlashTone MT

Combined Beacon Sounder
AC & DC versions

L G M
PRODUCTS



SPECIFICATION

Voltage Options	Voltage tolerance	Current mA*	Weight Kg.	Flash Energy	Sound output *	101db
230vac	+/- 10%	25	0.17	1 W	IP Rating Shallow base	45
110vac	+/- 10%	50	0.17	1 W	IP Rating Deep Base	66
24vdc	9-30 Vdc	54	0.17	1 W	Alarm tones	32
12vdc	9-30 Vdc	98	0.17	1 W	Alarm Stages	1

***NOTE:** Sound output and current consumption values are based on the 800 to 1000 Hz alternating signal at 24vdc, the standard UK fire alarm tone. These values will vary for other alarm tone and volt-ages

Volume Control	Yes
Cable entry	M20 Knock Outs
Terminal Capacity	2 x 2.5mm ²
Op temp deg C	-20°C to +60°C
Body Material	Fire retardant ABS
Body Colour Options	Red, White
Lens Material	Polycarbonate
Lens colour options	Red, Clear Green Blue, Amber
Flash Rate	1 Hz

APPROVALS: LPCB, Vds

ORDER CODE:

Flashtone/Voltage/Base Colour/Base Type/Lens Colour

LGM PRODUCTS LTD
UNIT 18 RIVERSIDE INDUSTRIAL ESTATE
FARNHAM
SURREY GU9 7UG
UNITED KINGDOM

TEL +44 (0) 1252 725257
FAX +44 (0) 1252 727627
E-mail Sales@Lgmproducts.com
www.Lgmproducts.com