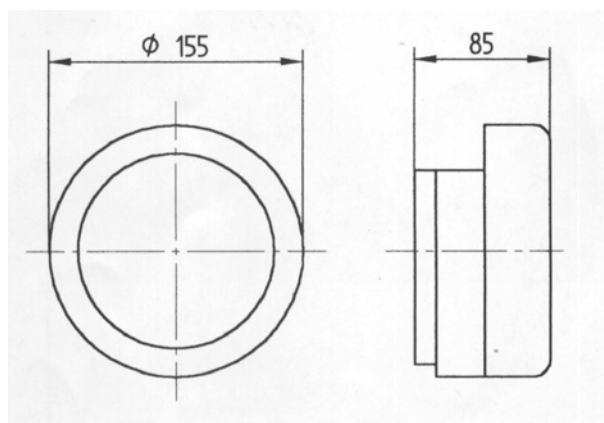


# Electronic Bells

**L G M**  
**PRODUCTS**



Voltage Options	Voltage tolerance	Current mA	Weight Kg.
230 Vac	+/- 10 Vac	25	1.1
115 Vac	+/- 10%	25	1.1
24 Vdc	18-30 Vdc	30	1.1
12Vdc	9-15 Vdc	60	1.1

<b>Sound output *</b>	<b>94dB(A)</b>
<b>IP Rating</b>	41
<b>IP Rating WR version</b>	55
<b>Cable entry</b>	M20 knockouts
<b>Terminal Capacity</b>	2 in 2 out x 2.5 mm <sup>2</sup>
<b>Cable entry</b>	M20 knockouts
<b>Terminal Capacity</b>	2 in 2 out x 2.5 mm <sup>2</sup>
<b>Op Temp</b>	-10 to +55 °C
<b>Storage temp</b>	-40 to +70 °C
<b>Gong Material</b>	Steel
<b>Body Material</b>	Polycarbonate

**ORDER CODE:**  
FB/voltage/WR\*  
\*optional

**LGM PRODUCTS LTD**  
**UNIT 18 RIVERSIDE INDUSTRIAL ESTATE**  
**FARNHAM**  
**SURREY GU9 7UG**  
**UNITED KINGDOM**

**TEL +44 (0) 1252 725257**  
**FAX +44 (0) 1252 727627**  
**E-mail sales@Lgmproducts.com**  
**www.Lgmproducts.com**