

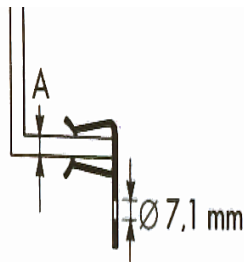
Heat Sensing Cable Tray Fixings

L G M
PRODUCTS



EDGE CLIPS

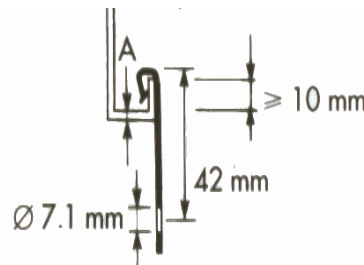
The knock on edge clip is designed for steel work of differing thickness. These fixing are available in mild steel with a zinc rich plated finish, which has excellent resistance to corrosion and heat. The Heat Sensing Cable must be secured to the edge clip with the neoprene sleeve and tie wrap supplied



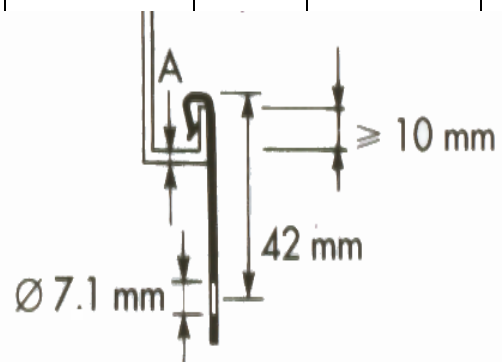
PART No	A	Øm m
FX/2H4	2-3mm	7.1
FX/4H24	3-8mm	7.1
FX/4H58	8-14mm	7.1
FX/4H912	14-20mm	7.1



The knock on J clips are suitable for the support of Heat Sensing Cable from the outer edge of conventional cable tray. The Heat Sensing Cable must be secured to the edge clip with the neoprene sleeve and tie wrap supplied



PART No	A mm	MINIMUM RETURN mm
FX/J1	1.5 - 4	10
FX/J2	4 - 6.5	10



LGM PRODUCTS LTD
UNIT 18 RIVERSIDE INDUSTRIAL ESTATE
FARNHAM
SURREY GU9 7UG
UNITED KINGDOM

TEL 44 (0) 1252 725257
FAX 44 (0) 1252 727627
E-mail sales@Lgmproducts.com
www.lgmproducts.com