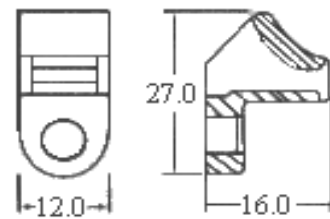


Heat Sensing Wall & Ceiling Cable Fixings

L G M PRODUCTS

The ideal location for the heat sensing cable is on the ceiling or the top of the side wall. This ensures that the cable is rapidly exposed to the plume of hot gases from any event that rise and spread across the ceiling. In general one clip should be used every metre however two clips should be mounted close together at 90 degrees where the cable route changes direction.

'A' CLIP Manufactured from nylon with M6 fixing holes complete with cable tie. Ideal for installation where heat transfer from the fixing point to the heat sensing cable must be minimised. The fixing screw is not included.



Part No. ref : FX/A

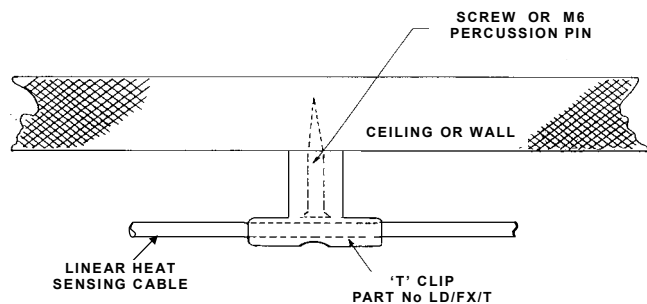
'T' CLIP A Polypropylene plastic moulding with a slot into which the heat sensing cable is located.

For extra security a tie wrap may be used in a



figure "8" arrangement to prevent the cable from being pulled from the clip. The fixing screw and tie wrap are not included.

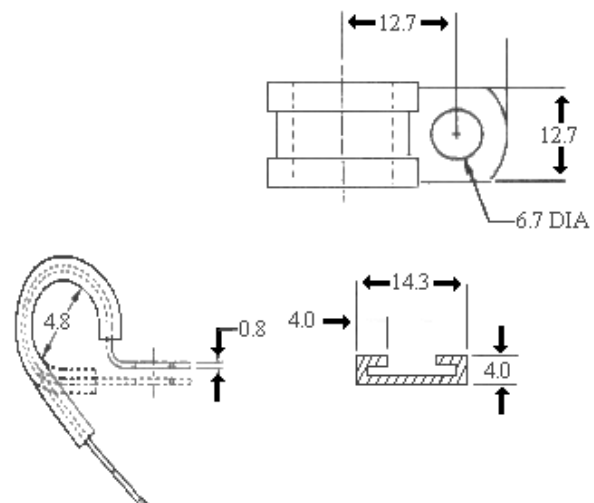
Part No. ref : FX/T



'P' CLIP Zinc plated steel clip with santoprene cushion insulator. The fixing screw is not included.



Part No. ref
FX/P



LGM PRODUCTS LTD
UNIT 18 RIVERSIDE INDUSTRIAL ESTATE
FARNHAM
SURREY GU9 7UG
UNITED KINGDOM

TEL +44 (0) 1252 725257
FAX +44 (0) 1252 727627
E-mail Sales@Lgmproducts.com
www.Lgmproducts.com