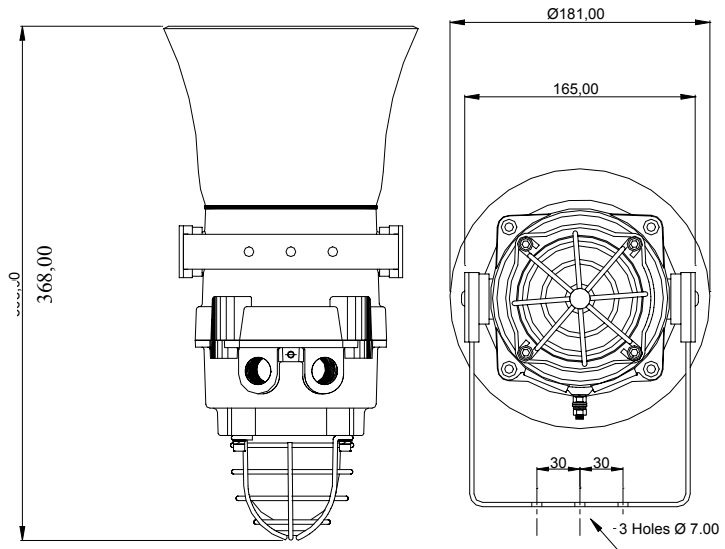


# BEXCS110-05D

beacon sounder  
DC & AC Versions

**L G M**  
**PRODUCTS**



## SPECIFICATION

Voltage Options	Voltage tolerance	Current mA*	Weight Kg.	Flash Energy	Sound output *	110db
230 Vac 50-60Hz	+/- 10%	110	5.0	5.0J	IP Rating	67
115 Vac 50/60Hz	+/- 10%	250	5.0	5.0J	Alarm tones	32
48 Vdc	42-54 Vdc	310	4.8	5.0J	Alarm Stages	3
24 Vdc	20-28 Vdc	520	4.8	5.0J	Volume Control	Yes except 12vdc unit
12 Vdc	10-14 Vdc	945	4.8	5.0J	Cable entry	2 x M20
					Terminal Capacity	Up to 4mm <sup>2</sup>
					Op temp deg C	-50 to +55
					Storage temp deg C	-50 to +70
					Body Material	Marine Grade LM6 Aluminium
					Lens Material	Toughened Glass
					Lens colour options	Amber, blue, clear green, yellow, red
					Flash Rate	1 Hz

**\*NOTE:** Sound output and current consumption values are based on the 800 to 1000 Hz alternating signal, the standard UK fire alarm tone. These values will vary for other alarm tones

**APPROVALS:**  
KEMA certified—ATEX compliant  
Tamb -50 to +55 °C ex II 2G EEx d IIB T4

**ORDER CODE:**  
BEXCS110-05D/Voltage/Lens Colour

LGM PRODUCTS LTD  
UNIT 18 RIVERSIDE INDUSTRIAL ESTATE  
FARNHAM  
SURREY GU9 7UG  
UNITED KINGDOM

TEL +44 (0) 1252 725257  
FAX +44 (0) 1252 727627  
E-mail Sales@Lgmproducts.com  
www.Lgmproducts.com