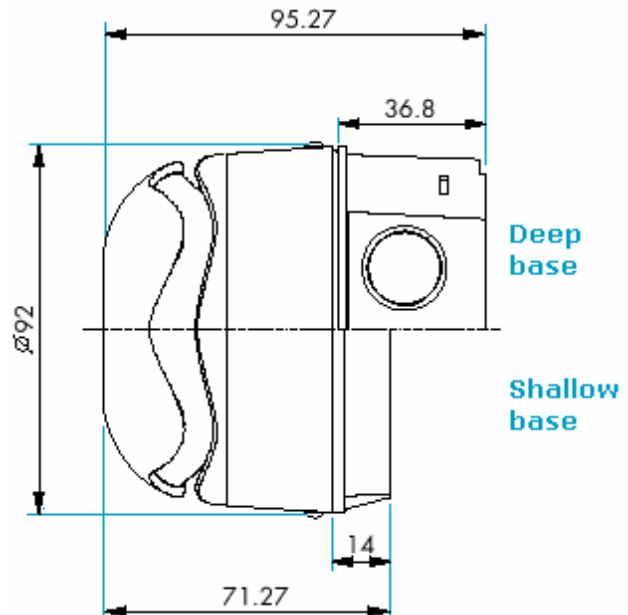


# Banshee MT

## DC & AC sounder

**L G M**  
**PRODUCTS**



### SPECIFICATION

Voltage Options	Voltage tolerance	Current mA*	Weight Kg.
230vac	+/-10%	25	0.25
110vac	+/-10%	50	0.25
24vdc	9-30	14	0.25
12vdc	9-30	8	0.25

**\*NOTE:** Sound output and current consumption values are based on the 800 to 1000 Hz alternating signal at 24vdc, the standard UK fire alarm tone. These values will vary for other alarm tone and voltages

<b>Sound output *</b>	<b>101</b>
<b>IP Rating Shallow base</b>	45
<b>IP Rating Deep base</b>	66
<b>Alarm tones</b>	32
<b>Alarm Stages</b>	2
<b>Volume Control</b>	Yes
<b>Cable entry</b>	M20 KO
<b>Terminal Capacity</b>	2 x 2.5mm <sup>2</sup>
<b>Op temp deg C</b>	-40°C to 70°C
<b>Body Material</b>	Fire retardant ABS
<b>Body Colour Options</b>	Red, White, Grey

**APPROVALS:** LPCB, Vds

**ORDER CODE:**  
Banshee/Voltage/Base Colour/Base Type

LGM PRODUCTS LTD  
UNIT 18 RIVERSIDE INDUSTRIAL ESTATE  
FARNHAM  
SURREY GU9 7UG  
UNITED KINGDOM

TEL +44 (0) 1252 725257  
FAX +44 (0) 1252 727627  
E-mail Sales@Lgmproducts.com  
www.Lgmproducts.com