



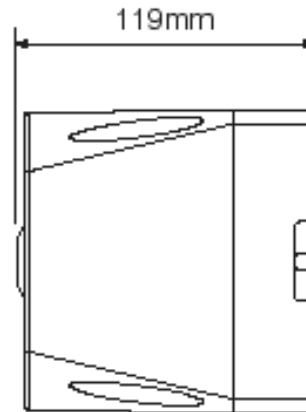
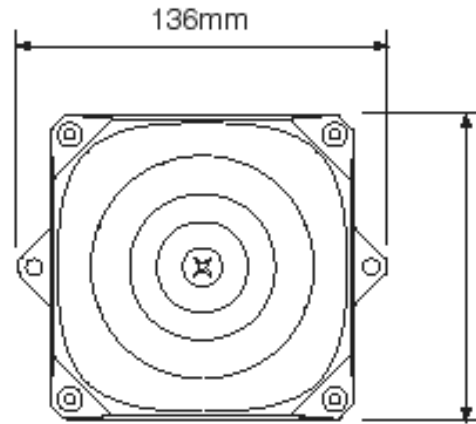
- Sound Output: 105dB(A)
- 32 Tone, 2 Stage Alarm
- IP Rating: 66
- Available Voltages: 24Vdc  
24Vac 115Vac 230Vac

# Asserta Mini

## Alarm Sounder



<b>Sound output</b>	105dB
<b>Alarm tones</b>	32
<b>Alarm stages</b>	2
<b>Volume control</b>	10dB
<b>IP rating</b>	66
<b>Cable entry</b>	M20 Knockouts
<b>Terminal capacity</b>	0.28 to 2.5mm <sup>2</sup> cables
<b>Op temp</b>	-25°C to +70°C
<b>Body material</b>	ABS
<b>Colour options</b>	Grey, Red
<b>Unit weight</b>	0.30Kg (DC) 0.36Kg (AC)



**Approvals:**

**(specify required approval when ordering)**

Exceeds EN54-3 minimum requirements (15-60Vdc).

CPD certified.

Manufacturer's declarations available on request.

<b>Voltage options</b>	<b>Voltage tolerance</b>	<b>Current</b>
24 Vdc	9 to 60 Vdc	13mA
115 Vac	110-230 Vac	20mA
230Vac	110-230 Vac	20mA



Also available, the Asserta Mini SB combination audio-visual unit.