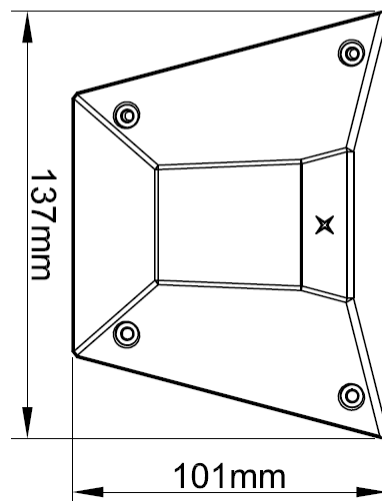
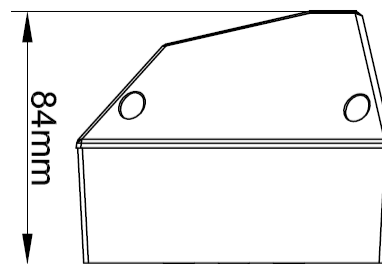




- Light Output: 3.6/2.0 Joules
- IP Rating: 66
- Available Lens Colours: Amber, Blue, Clear, Red
- Available Voltages: 12Vdc 24Vdc  
230Vac

<b>Light source</b>	Xenon Strobe
<b>Flash energy</b>	3.6 Joule (DC) 2.0 Joule (AC)
<b>IP rating</b>	66
<b>Flash rate</b>	0.75, 1, 1.25 or 2 Hz (DC) 1Hz (AC)
<b>Cable entry</b>	M20 Knockouts
<b>Terminal capacity</b>	0.28mm <sup>2</sup> - 2.5mm <sup>2</sup> cables
<b>Operating temp.</b>	-25°C to +75°C
<b>Lens material</b>	Polycarbonate
<b>Lens colour options</b>	Amber, Blue, Clear, Red
<b>Base material</b>	ABS
<b>Base colour</b>	Red
<b>Unit weight</b>	0.2Kg



**Approvals:**

No 3rd party approvals.  
Manufacturer's declarations available on request.

<b>Voltage options</b>	<b>Voltage tolerance</b>	<b>Current</b>
12 Vdc	10 to 30 Vdc	
24Vdc	10 to 30 Vdc	250mA
230 Vdc	+/- 10%	15mA



The Asserta beacon is also available as a combination unit with a 110/120dB(A) Asserta sounder.