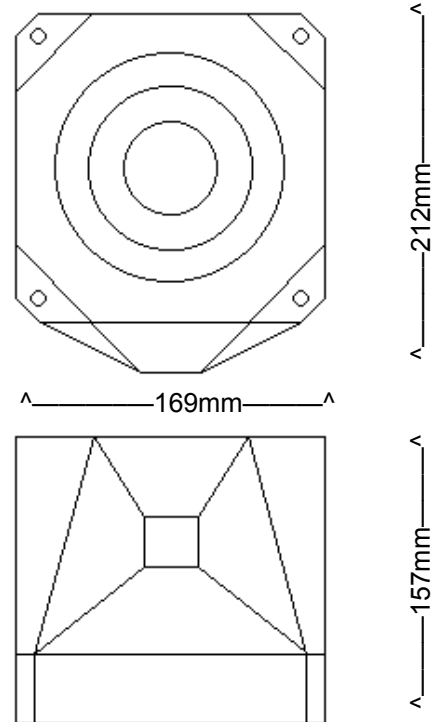


# Asserta 110 Combined Sounder & Beacon

**L G M**  
**PRODUCTS**



## SPECIFICATION

Voltage Options	Current mA*	Weight Kg.	Sound output *	110dB(A)
<b>AS/110</b>			<b>IP Rating</b>	66
115/230 Vac	50mA @ 230Vac	2.50Kg	<b>Op temp deg C</b>	-25 to +70°C
18 - 30 Vdc	320mA @ 24Vdc	1.80Kg	<b>Alarm tones</b>	42
			<b>Alarm Stages</b>	3
			<b>Volume Control</b>	Yes
			<b>Cable entry</b>	M20 Knockouts
			<b>Body Material</b>	PC/ABS
			<b>Lens material</b>	Polycarbonate
			<b>Body Colour</b>	Red or Grey
			<b>Lens colour</b>	Red, Amber, Clear, Blue
			<b>Flash intensity</b>	3.6J @ 3/4 / 1Hz (DC) 2.0J @ 1.5 / 2Hz (DC) 2.0J @ 1Hz (AC)

**\*NOTE:** Sound output and current consumption values are based on the 800 to 1000 Hz alternating signal, the standard UK fire alarm tone. These values will vary for other alarm tones

**ORDER CODE:** AS/ 110/ B/ Voltage/ Base Colour/ Lens Colour

**LGM PRODUCTS LTD**  
**UNIT 18 RIVERSIDE INDUSTRIAL ESTATE**  
**FARNHAM**  
**SURREY GU9 7UG**  
**UNITED KINGDOM**

**TEL +44 (0) 1252 725257**  
**FAX +44 (0) 1252 727627**  
**E-mail sales@Lgmproducts.com**  
**www.Lgmproducts.com**