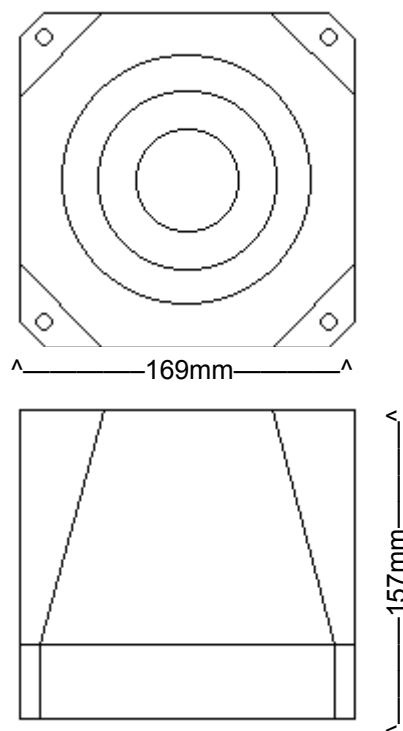


Asserta AS 110

Electronic Sounder

L G M
PRODUCTS



SPECIFICATION

Voltage Options	Current mA*	Weight Kg.	Sound output *	110dB(A)
115/230 Vac	35mA @ 230Vac	2.00Kg	IP Rating	66
18 - 28 Vdc	120mA @ 24Vdc	1.60Kg	Alarm tones	42
			Alarm Stages	3
			Volume Control	Yes
			Cable entry	M20 Knockouts
			Op temp	-20° to +70°C
			Body Material	ABS
			Body Colour	Red or Grey

***NOTE:** Sound output and current consumption values are based on the 800 to 1000 Hz alternating signal, the standard UK fire alarm tone. These values will vary for other alarm tones

ORDER CODE: AS/110/Voltage/Colour

LGM PRODUCTS LTD
UNIT 18 RIVERSIDE INDUSTRIAL ESTATE
FARNHAM
SURREY GU9 7UG
UNITED KINGDOM

TEL +44 (0) 1252 725257
FAX +44 (0) 1252 727627
E-mail sales@Lgmproducts.com
www.Lgmproducts.com