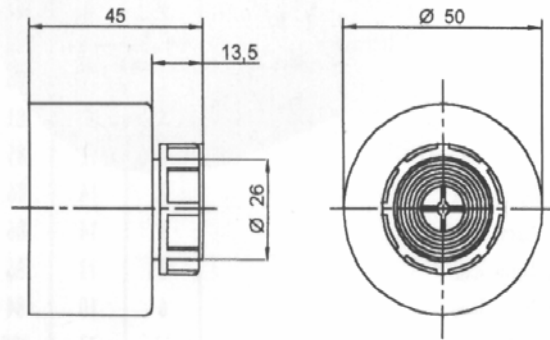


Askari Panel

Electronic Sounder

L G M
PRODUCTS



A 26mm dia. panel aperture required for fixing.

Voltage	Current mA*	Weight Kg.
9 – 28Vdc	35mA	0.11 Kg

***NOTE:** Sound output and current consumption values are based on the 800 to 1000 Hz alternating signal, the standard UK fire alarm tone. These values will vary for other alarm tones

Sound output *	98dB(A)
IP Rating	54
Alarm tones	28
Alarm Stages	1
Volume Control	No
Cable entry	M20 Knockouts
Storage Temp deg C	-40°C to +80°C
Op temp deg C	-25 to +55°C
Body Material	ABS
Body Colour	Red or White

ORDER CODE:
Askari Panel/body colour

LGM PRODUCTS LTD
UNIT 18 RIVERSIDE INDUSTRIAL ESTATE
FARNHAM
SURREY GU9 7UG
UNITED KINGDOM

TEL +44 (0) 1252 725257
FAX +44 (0) 1252 727627
E-mail sales@lgmproducts.com
www.lgmproducts.com