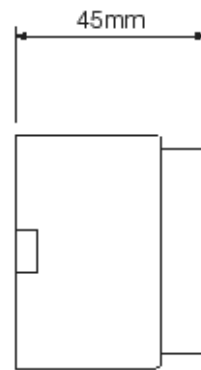
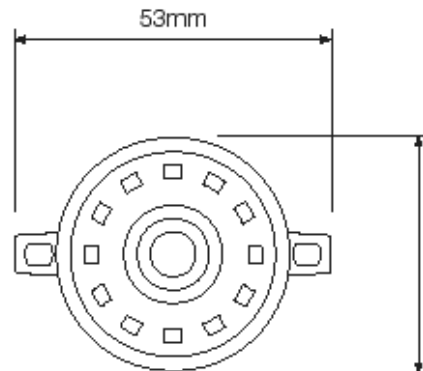




- Sound Output: 92dB(A)
- 32 Tone, 2 Stage Alarm
- IP Rating: 65
- Available Voltages: 12Vdc 24Vdc

Output	92dB
Alarm tones	32
Alarm stages	2
Volume control	Available
IP rating	65
Cable entry	Flying leads
Op temp	-25°C to +70°C
Body material	ABS
Colour options	Red, White
Unit weight	0.9Kg



Approvals:

No 3rd party approvals.
Manufacturer's declarations available on request.

Voltage options	Voltage tolerance	Current
12 Vdc	9 to 28 Vdc	35mA
24 Vdc	9 to 28 Vdc	18mA



The Askari range also includes the Panel and Compact sounders.