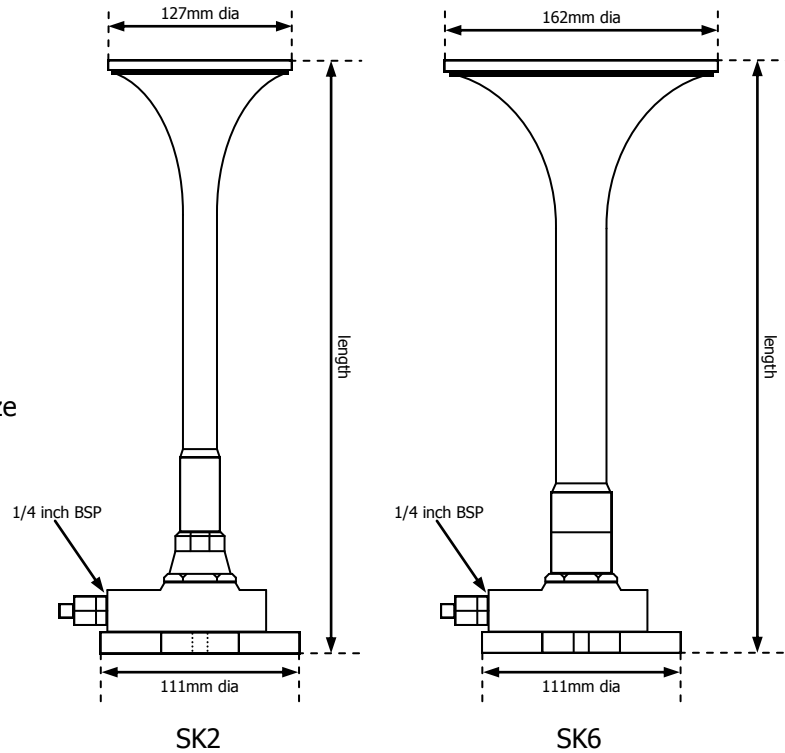




- Output: 120 to 134db(A)
- Air Horn
- IP Rating: 66

Output	120dB (APSK2-GM) 134dB (APSK2-EM) 132dB (APSK6-GM) 124dB (APSK6-EM)
Duty cycle	Continuous
Frequency	GM 370 Hz EM 315 Hz
Air consumption	50 to 100 L/min
Pressure fitting	1/4 inch BSP
IP rating	66
Material	Brass/Phosphor bronze
Unit weight	1.8 Kg



Approvals:
No external approvals

Model	Air Pressure	Length
APSK2-GM	10 to 30 psi	358mm
APSK2-EM	10 to 30 psi	435mm
APSK6-GM	50 to 100 psi	341mm
APSK6-EM	50 to 100 psi	437mm

An optional air compressor is available for use with the APSK2 only.

- 49mm o/d
- 116mm L
- 0.41 Kg
- 14 psi
- 24 Vdc



Also available, AP industrial air horn