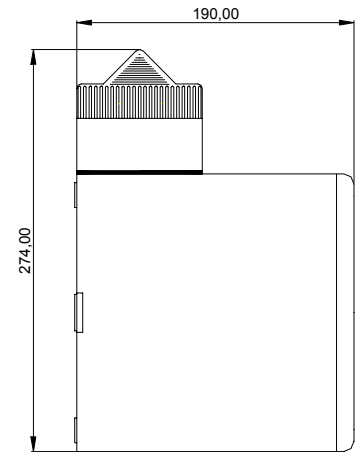
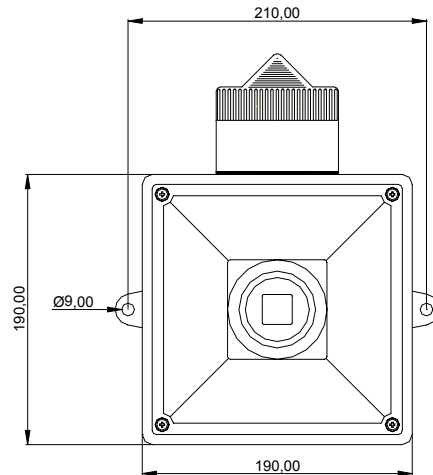


AL121 beacon sounder

DC & AC Versions

L G M
PRODUCTS



SPECIFICATION

Voltage Options	Voltage tolerance	Current mA*	Weight Kg.	Flash Energy	Sound output * 121dB
230 Vac	+/- 10%	155mA	2.90	5.0	IP Rating 55
115 Vac	+/- 10%	310mA	2.90	5.0	IP Rating WR version 56
24 Vac	+/- 10%	1300mA	2.90	5.0	Alarm tones 32
48Vdc	42-54	775mA	2.3	5.0	Alarm Stages 3
24Vdc	20-28	1200mA	2.3	5.0	Volume Control Yes
12vdc	10-14	1450mA	2.3	5.0	Cable entry Side M20 cable gland entry & IP55 stopping plug
*NOTE: Sound output and current consumption values are based on the 800 to 1000 Hz alternating signal, the standard UK fire alarm tone. These values will vary for other alarm tones					Terminal Capacity 0.5 to 4.0mm ² cables
APPROVALS: UL America approved version available					max RH 90% at 20 deg C
					Op temp deg C -25 to +55
					Storage temp deg C -40 to +70
					Body Material UL94VO FR ABS
					Lens Material Polycarbonate
					Lens colour options Amber, blue, clear green, opal, red
ORDER CODE: AL121/Voltage/Lens Colour/WR version*/UL* *optional					Flash Rate 1 Hz

LGM PRODUCTS LTD
UNIT 18 RIVERSIDE INDUSTRIAL ESTATE
FARNHAM
SURREY GU9 7UG
UNITED KINGDOM

TEL +44 (0) 1252 725257
FAX +44 (0) 1252 727627
E-mail Sales@Lgmproducts.com
www.Lgmproducts.com