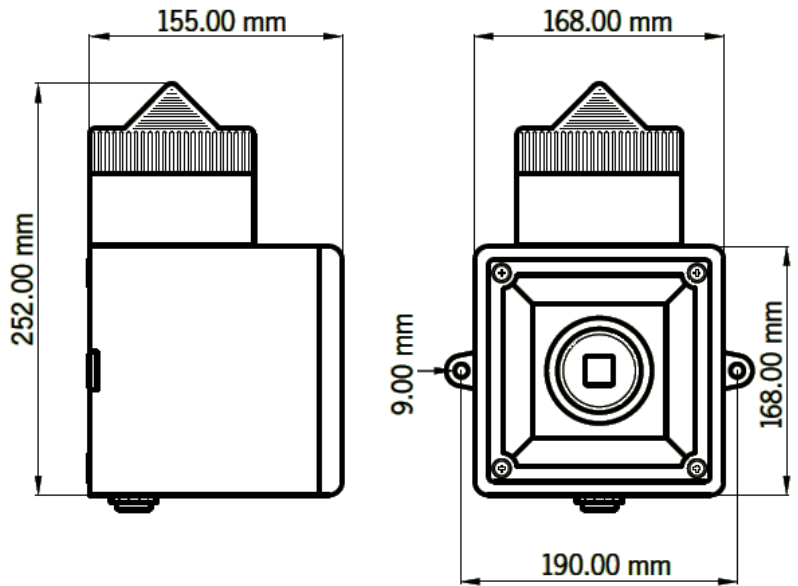




- Sound Output: 119dB(A)
- Light Output: 5 Joules
- 45 Tone, 3 Stage Alarm
- IP Rating: 56
- Available Lens Colours: Amber, Blue, Clear, Green, Opal, Red, Yellow
- Available Voltages: 12Vdc 24Vdc 48Vdc
24Vac 115Vac 230Vac
- Automatic Sound Synchronisation on Multiple Units
- Programmable Version Available with 45 Tones and 4 Remotely Selectable Alarm Stages

Max. sound output	119dB
Nominal sound output	112dB
IP rating	56
Alarm tones	45
Alarm stages	3
Stage Switching	Negative Reverse polarity stage switching on DC units
Volume control	Available
Light source	Xenon strobe
Flash energy	5 Joules
Flash rate	1 Hz
Cable entry	2 x M20 glands
Terminal capacity	0.5 to 4.0mm ² cables
Max. RH	90% at 20°C
Operating temp.	-25°C to +55°C
Body material	Flame Retardant ABS
Body Colour options	Grey, Red, White
Lens material	Polycarbonate
Lens colour options	Amber, Blue, Clear, Green, Opal, Red & Yellow
Unit weight	2.0Kg (DC) 2.3Kg (AC)



Voltage Options	Voltage tolerance	Current
12 Vdc	10 to 14 Vdc	700mA
24 Vdc	20 to 28 Vdc	450mA
48 Vdc	42 to 54 Vdc	295mA
24 Vac	+/- 10%	800mA
115 Vac	+/- 10%	170mA
230 Vac	+/- 10%	95mA

Approvals:

VdS approved to EN54-3 (CPD 89/106/EEC)
UL America approved version available
GOST-R approved. Cert: POCC GB-JB05-B02228
UKOOA/PFEER compliant alarm tones



Also available as the A112N
alarm sounder only.