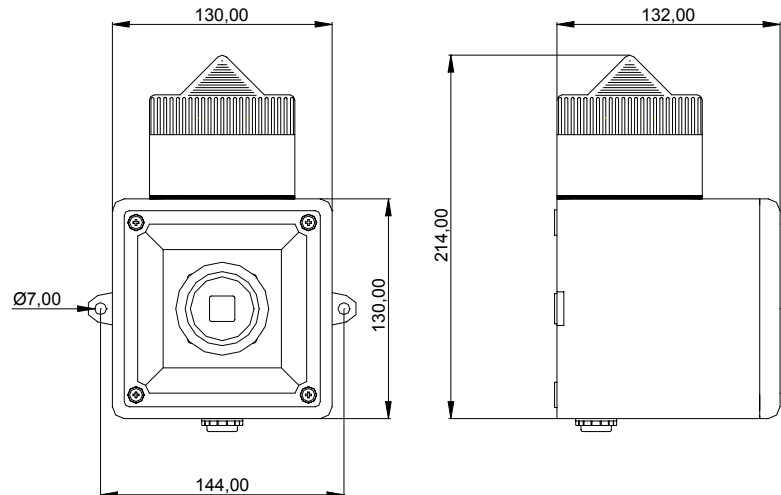


# AL105N beacon sounder

## DC & AC Versions

**L G M**  
**PRODUCTS**



### SPECIFICATION

Voltage Options	Voltage tolerance	Current mA*	Weight Kg.	Flash Energy	Sound output *	106dB
230 Vac	+/- 10%	65mA	1.25	5.0	<b>IP Rating</b>	55
115 Vac	+/- 10%	120mA	1.25	5.0	<b>IP Rating WR version</b>	56
24 Vac	+/- 10%	405mA	1.25	5.0	<b>Alarm tones</b>	32
48Vdc	42-54	225mA	1.00	5.0	<b>Alarm Stages</b>	3
24Vdc	20-28	275mA	1.00	5.0	<b>Volume Control</b>	Yes
12vdc	10-14	525mA	1.25	5.0	<b>Cable entry</b>	Side M20 cable gland entry & IP55 stopping plug
					<b>Terminal Capacity</b>	0.5 to 2.5mm <sup>2</sup> cables
					<b>max RH</b>	90% at 20 deg C
					<b>Op temp deg C</b>	-25 to +55
					<b>Storage temp deg C</b>	-40 to +70
					<b>Body Material</b>	UL94VO FR ABS
					<b>Body Colour options</b>	Red, Grey, White
					<b>Lens Material</b>	Polycarbonate
					<b>Lens colour options</b>	Amber, blue, clear green, opal, red
					<b>Flash Rate</b>	1 Hz

**\*NOTE:** Sound output and current consumption values are based on the 800 to 1000 Hz alternating signal, the standard UK fire alarm tone. These values will vary for other alarm tones

**APPROVALS:**  
UL America approved version available

**ORDER CODE:**  
AL105N/Voltage/Body Colour/  
Lens Colour/WR version\*/UL\*

\*optional

**LGM PRODUCTS LTD**  
**UNIT 18 RIVERSIDE INDUSTRIAL ESTATE**  
**FARNHAM**  
**SURREY GU9 7UG**  
**UNITED KINGDOM**

**TEL +44 (0) 1252 725257**  
**FAX +44 (0) 1252 727627**  
**E-mail Sales@Lgmproducts.com**  
**www.Lgmproducts.com**