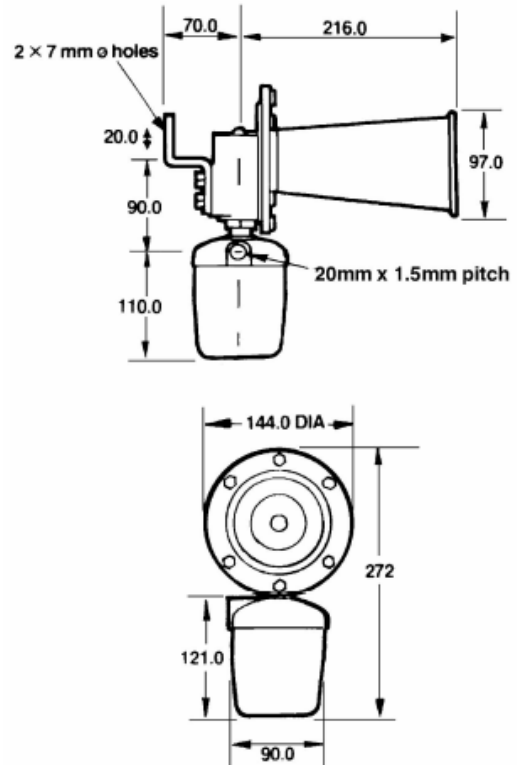


Motor Driven Hooter

With Unique “Klaxon” Sound

(Previously known as “Klaxon A1 Hooter”)

L G M
PRODUCTS



SPECIFICATION

Voltage Options	Voltage tolerance	Current Amps	Weight Kg.
230 Vac	+/- 10%	0.76	2.1
110 Vac	+/- 10%	0.84	2.1
24 Vdc	+/- 10%	2.3	2.1
12 Vdc	+/- 10%	5.0	2.1

Sound output	120 db (A)
IP Rating	IP65
Cable Entry	1 x 20 mm
Operating Temp	-35 to +66 °C
Body Material	Cast aluminium/brass, ABS Cover
Body Colour	Grey
Sound Frequency	470 Hz
Duty Rating	On 2 minute, off 5 minutes

ORDER CODE:
AHA1/Voltage

LGM PRODUCTS LTD
UNIT 18 RIVERSIDE INDUSTRIAL ESTATE
FARNHAM
SURREY GU9 7UG
UNITED KINGDOM

TEL +44 (0) 1252 725257
FAX +44 (0) 1252 727627
E-mail Sales@Lgmproducts.com
www.Lgmproducts.com