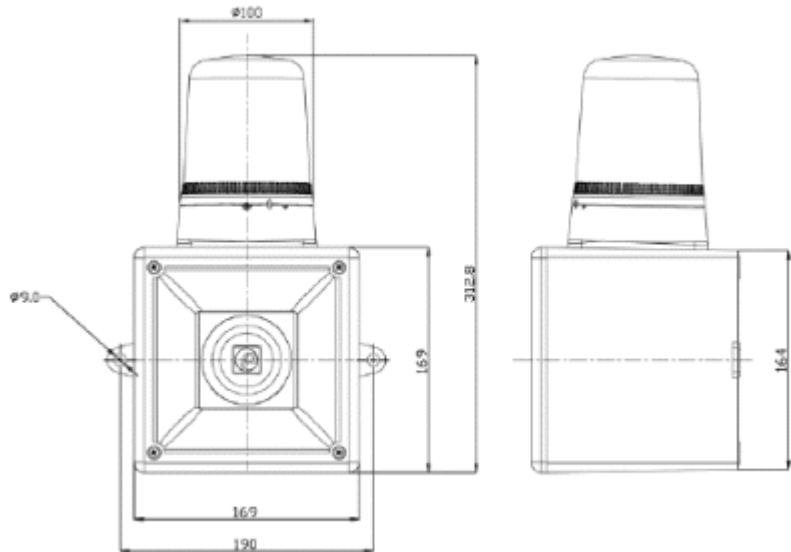


# AB112

## Combined Sounder Beacon

**L G M**  
**PRODUCTS**



### SPECIFICATION

<b>Voltage Options</b>	<b>Voltage tolerance</b>	<b>Current</b>	<b>Sound output *</b>	<b>112dB</b>
<b>Sounder</b>			<b>IP Rating</b>	65
230 Vac	+/- 10%	60mA	<b>Alarm tones</b>	32
115 Vac	+/- 10%	100mA	<b>Alarm Stages</b>	3
12 / 24Vdc	10 - 30Vdc	60mA*	<b>Volume Control</b>	Yes
<b>Beacon Current consumption:</b>			<b>Op temp</b>	-25°C to +55°C
<b>Beacon Type</b>			<b>Storage temp</b>	-40°C to +70°C
	<b>Rotating</b>	<b>Xenon</b>	<b>LED</b>	<b>Weight</b>
230 Vac	117mA	35mA	50mA	1.25Kg
115 Vac	216mA	70mA	90mA	<b>Body Material</b>
24Vdc	910mA	250mA	130mA	ABS
12Vdc	1.72 Amps	500mA	n/a	<b>Body Colour options</b>
				Red or Grey
				<b>Lens Material</b>
				Polycarbonate
				<b>Lens Colour Options</b>
				Red, Amber, Blue, Clear†, Green, Yellow
<b>Flash Rate</b>	180 RPM +/- 30 RPM	1 Hz	9 selectable Operating modes	† Not available in LED
<b>The beacon &amp; sounder can be powered from the same source or controlled individually.</b>				

**\*NOTE:** Sounder output and current consumption values are based on the 800 to 1000 Hz alternating signal, at 24Vdc. These values will vary for other alarm tones & voltages

**APPROVALS:** VdS approved to EN54-3 (CPD 89/106/EEC)

**ORDER CODE:** AB112/Voltage/Body colour/Beacon type/Lens Colour

**LGM PRODUCTS LTD**  
**UNIT 18 RIVERSIDE INDUSTRIAL ESTATE**  
**FARNHAM**  
**SURREY GU9 7UG**  
**UNITED KINGDOM**

**TEL 44 (0) 1252 725257**  
**FAX 44 (0) 1252 727627**  
**E-mail: Sales@Lgmproducts.com**  
**www.Lgmproducts.com**