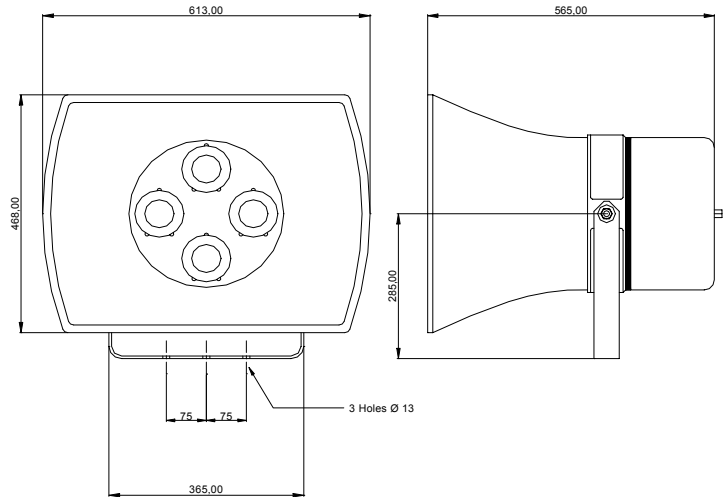


# A140 Disaster Warning Alarm Sounder DC & AC Versions

**L G M**  
**PRODUCTS**



## SPECIFICATION

<b>Voltage Options</b>	<b>Voltage tolerance</b>	<b>Current A*</b>	<b>Weight Kg.</b>	<b>Sound output *</b>	<b>140dB</b>
230 Vac	+/- 10%	1A	25	<b>IP Rating</b>	55
115 Vac	+/- 10%	2A	25	<b>Alarm tones</b>	32
24Vdc	21 to 28	8A	25	<b>Alarm Stages</b>	3
				<b>Cable entry</b>	1 x M20
				<b>Op Temp</b>	-25°C to +55 °C
				<b>Storage Temp</b>	-40°C to + 70 °C
				<b>Body Material</b>	Light weight fibreglass
				<b>Body Colour</b>	Grey

**\*NOTE:** Sound output and current consumption values are based on the 800 to 1000 Hz alternating signal, the standard UK fire alarm tone. These values will vary for other alarm tones

**ORDER CODE:**  
A140/Voltage

**LGM PRODUCTS LTD**  
**UNIT 18 RIVERSIDE INDUSTRIAL ESTATE**  
**FARNHAM**  
**SURREY GU9 7UG**  
**UNITED KINGDOM**

**TEL +44 (0) 1252 725257**  
**FAX +44 (0) 1252 727627**  
**E-mail Sales@Lgmproducts.com**  
**www.Lgmproducts.com**