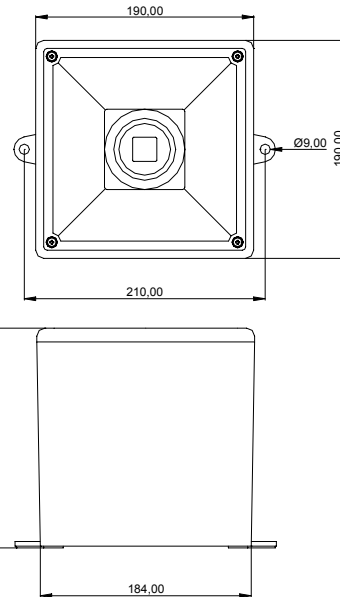


A121 Electronic Sounder

L G M
PRODUCTS



SPECIFICATION

Voltage Options	Voltage tolerance	Current mA*	Weight Kg.
230 Vac	+/- 10%	120mA	2.60
115 Vac	+/- 10%	240mA	2.60
24 Vac	+/- 10%	1000mA	2.60
48Vdc	35 to 60	600mA	2.05
24Vdc	10 to 30	1200mA	2.05

***NOTE:** Sound output and current consumption values are based on the 800 to 1000 Hz alternating signal, the standard UK fire alarm tone. These values will vary for other alarm tones

Sound output *	121dB
IP Rating	66
Alarm tones	45
Alarm Stages	3
Volume Control	Yes
Cable entry	M20 knockouts
Terminal Capacity	0.5 to 4.00mm ²
max RH	90% at 50°C
Op temp	-25°C to +55°C
Storage temp	-40°C to + 70°C
Body Material	ABS
Colour Options	Red, Grey, White

APPROVALS:

VdS approved to EN54-3 (CPD 89/106/EEC)
UL America approved version available

ORDER CODE:

A121/Voltage /Colour/UL or VdS*
*optional

LGM PRODUCTS LTD
UNIT 18 RIVERSIDE INDUSTRIAL ESTATE
FARNHAM
SURREY GU9 7UG
UNITED KINGDOM

TEL +44 (0) 1252 725257
FAX +44 (0) 1252 727627
E-mail Sales@Lgmproducts.com
www.Lgmproducts.com