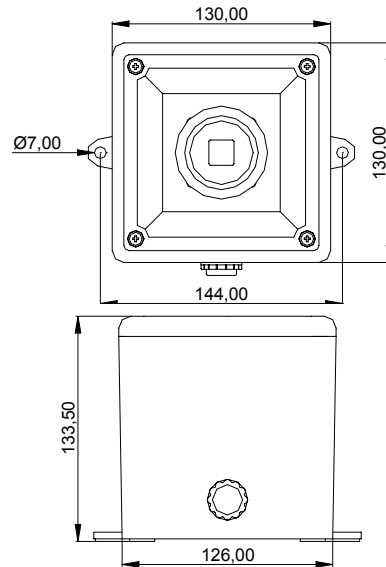


# A105N Electronic Sounder

**L G M**  
**PRODUCTS**



## SPECIFICATION

Voltage Options	Voltage tolerance	Current mA*	Weight Kg.
230 Vac	+/- 10%	15mA	1.00
115 Vac	+/- 10%	20mA	1.00
24 Vac	+/- 10%	40mA	1.00
48Vdc	35 to 60	48mA	0.75
24Vdc	10 to 30	25mA	0.75

**\*NOTE:** Sound output and current consumption values are based on the 800 to 1000 Hz alternating signal, the standard UK fire alarm tone. These values will vary for other alarm tones

**Sound output \* 106dB**

<b>IP Rating</b>	66
<b>Alarm tones</b>	32
<b>Alarm Stages</b>	3
<b>Volume Control</b>	Yes
<b>Cable entry</b>	2 x M20
<b>Terminal Capacity</b>	1 x 2.5 mm <sup>2</sup>
<b>Max RH</b>	90% at 50° C
<b>Op temp</b>	-25°C to +55°C
<b>Storage temp</b>	-40°C to +70°C
<b>Body Material</b>	ABS
<b>Colour Options</b>	Red, Grey, White

### **APPROVALS:**

**VdS approved to EN54-3 (CPD 89/106/EEC)**  
**UL America approved version available**

### **ORDER CODE:**

A105N/Voltage /Colour/UL or VdS\*  
\*optional

**LGM PRODUCTS LTD**  
**UNIT 18 RIVERSIDE INDUSTRIAL ESTATE**  
**FARNHAM**  
**SURREY GU9 7UG**  
**UNITED KINGDOM**

**TEL 44 (0) 1252 725257**  
**FAX 44 (0) 1252 727627**  
**E-mail: Sales@Lgmproducts.com**  
**www.Lgmproducts.com**