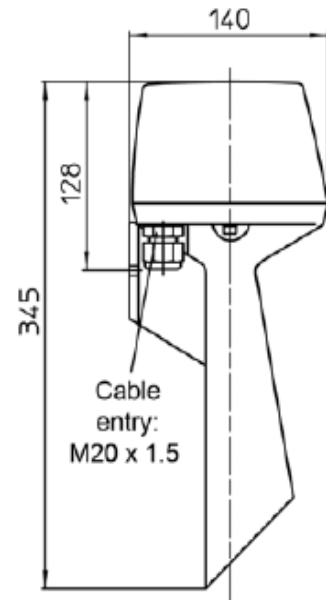
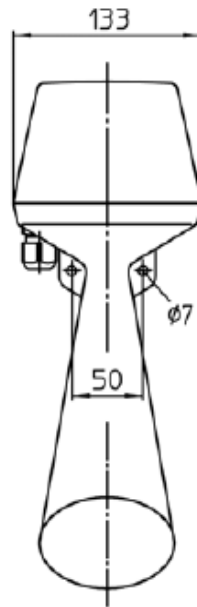


# BExSH1

Zone 1 and 2 Signalling Hooter

**L G M**  
**PRODUCTS**



## SPECIFICATION

Voltage Options	Voltage tolerance	Current mA*	Weight Kg.	Sound output	108dB(A)
24Vdc	+/- 10%	300mA	3.4 kg	IP Rating	54
115Vdc	+/- 10%	TBA	3.4 kg	Storage Temp	-20° to 60°C
115ac	+/- 10%	150mA	3.4 kg	Connecting Cable	2 wire, ø 6mm
230Vac	+/- 10%	70mA	3.4 kg	Cable Entry	M20 x 1.5
Other voltages available on request.				Body Colour	Black
				Body Material	Polycarbonate
				Operating Mode	Duty Cycle 75%

**Certification** ATEX II2 G Ex emb II T4 -20°C ≤ Ta ≤ +70°C

**ORDER CODE:**  
BExSH1/Voltage

**LGM PRODUCTS LTD**  
UNIT 18 RIVERSIDE INDUSTRIAL ESTATE  
FARNHAM  
SURREY GU9 7UG  
UNITED KINGDOM

TEL + 44 (0) 1252 725257  
FAX + 44 (0) 1252 727627  
E-mail [Sales@Lgmproducts.com](mailto:Sales@Lgmproducts.com)  
[www.Lgmproducts.com](http://www.Lgmproducts.com)