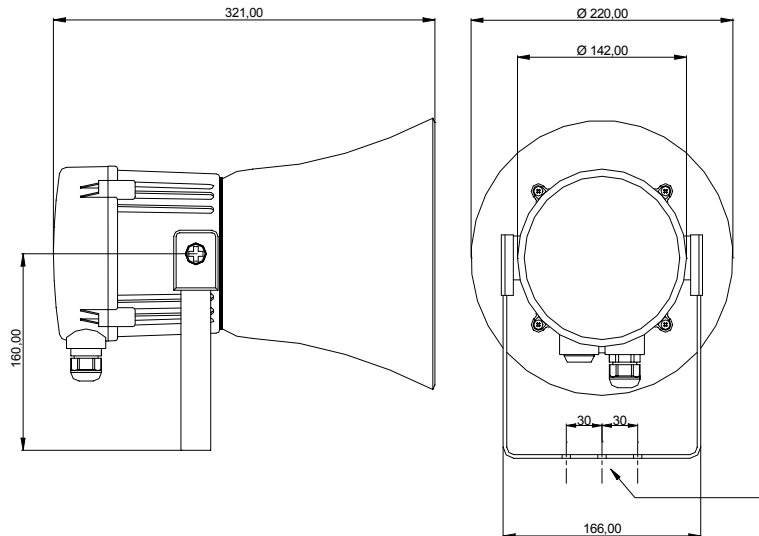


BEXH120 & BEXDH120 Flameproof 'Hootronic' Siren

L G M
PRODUCTS



The Hootronic series of hooters reproduce the sounds made by traditional electro-mechanical hooters using modern, reliable electronics. With high output levels the Hootronic surpasses the performance of traditional hooters.

SPECIFICATION

Voltage Options	Voltage tolerance	Current mA*	Weight Kg.
230 Vac 50/60Hz	+/- 10%	90 mA	4.0
115 Vac 50/60Hz	+/- 10%	180 mA	4.0
24 Vdc	+/- 10%	400 mA	3.75

Sound Tones:

A choice of 5 alarm sounds combining the signalling power of multiple electro-mechanical products in one unit. See page 2 for details

1. Industrial Hooter
2. High Frequency Mechanical Siren
3. Medium Frequency Mechanical Siren
4. Electro Mechanical Buzzer
5. Mechanical Bell

Sound output	117 db @1 m typical
IP Rating	67
Alarm Stages	3
Cable entry	2 x M20
Terminal Capacity	1 x 4.0 mm ²
Volume Control	Yes
Body Colour	Grey or red, see approvals pg 2
Body Material	Marine Grade LM6 Aluminium
Horn Material	Fire retardant, high impact ABS
Horn Colour	Grey, red or black see approvals pg 2

See page 2 for approvals tone table details and order codes

LGM PRODUCTS LTD
UNIT 18 RIVERSIDE INDUSTRIAL ESTATE
FARNHAM
SURREY GU9 7UG
UNITED KINGDOM

TEL +44 (0) 1252 725257
FAX +44 (0) 1252 727627
E-mail Sales@Lgmproducts.com
www.Lgmproducts.com

BEXH120 & BEXDH120 Flameproof 'Hootronic' Siren

L G M
PRODUCTS

STONE TABLE

24Vdc Hootronics have the facility to use either +ve or -ve switching to change the sound to the second and third stages.

230 & 115 Vac Hootronics also have second and third stage sound selection. To select the second and third stage sounds on the Vac versions the Common (C) terminal on the four way terminal block on the pcb is connected to the S2 terminal for the second stage sound and the S3 terminal for the third stage sound.

Stage 1	Sound	db @ 1m	Stage 2	Stage 3
Tone 1	Industrial Hooter 470Hz	109	Tone 3	Tone 5
Tone 2	High frequency mechanical siren 1.7KHz	112	Tone1	Tone 5
Tone 3	Medium frequency mechanical siren 1KHz	115	Tone 1	Tone 5
Tone 4	Electro-mechanical siren 450Hz	117	Tone 2	Tone 5
Tone 5	Mechanical bell	106	Tone 1	Tone 2

Approvals: ATEX certificate: 99ATEX6312

Order Codes

Certification

BExH120D**-G

II 2G EEx d IIC T4 Ta. -50 to +55°C
II 2G EEx d IIB T4 Ta. -50 to +70°C
Grey Housing & Horn

BExH120D**-R

II 2G EEx d IIC T4 Ta. -50 to +55°C
II 2G EEx d IIB T4 Ta. -50 to +70°C
Red Housing & Horn

BExDH120D**-G

II 2G/D EEx d IIC T4 Ta. -50 to +55°C T100°C
II 2G/D EEx d IIB T4 Ta. -50° to +70°C T115°C
Grey Housing / Black Horn

BExDH120D**-R

II 2G/D EEx d IIC T4 Ta. -50 to +55°C T100°C
II 2G/D EEx d IIB T4 Ta. -50° to +70°C T115°C
Red Housing / Black Horn

** Voltage option

LGM PRODUCTS LTD
UNIT 18 RIVERSIDE INDUSTRIAL ESTATE
FARNHAM
SURREY GU9 7UG
UNITED KINGDOM

TEL +44 (0) 1252 725257
FAX +44 (0) 1252 727627
E-mail Sales@Lgmproducts.com
www.Lgmproducts.com