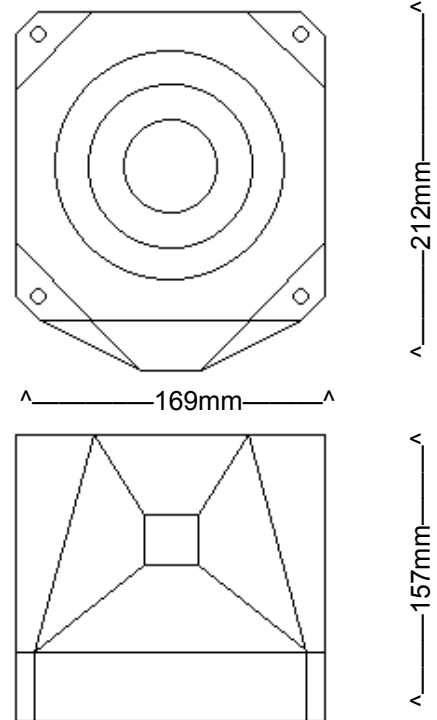


Asserta 120 Combined Sounder & Beacon

L G M
PRODUCTS



SPECIFICATION

Voltage Options	Current mA*	Weight Kg.	Sound output *	120dB(A)
AS/120			IP Rating	66
115/230 Vac	105mA @ 230Vac	2.50Kg	Op temp deg C	-25 to +70°C
18 - 30 Vdc	650mA @ 24Vdc	1.80Kg	Alarm tones	42
			Alarm Stages	3
			Volume Control	Yes
			Cable entry	M20 Knockouts
			Body Material	PC/ABS
			Lens material	Polycarbonate
			Body Colour	Red or Grey
			Lens colour	Red, Amber, Blue
			Flash intensity	3.6J @ 3/4 / 1Hz (DC) 2.0J @ 1.5 / 2Hz (DC) 2.0J @ 1Hz (AC)

***NOTE:** Sound output and current consumption values are based on the 800 to 1000 Hz alternating signal, the standard UK fire alarm tone. These values will vary for other alarm tones

ORDER CODE: AS/ 120/ B/ Voltage/ Base Colour/ Lens Colour

LGM PRODUCTS LTD
UNIT 18 RIVERSIDE INDUSTRIAL ESTATE
FARNHAM
SURREY GU9 7UG
UNITED KINGDOM

TEL +44 (0) 1252 725257
FAX +44 (0) 1252 727627
E-mail sales@Lgmproducts.com
www.Lgmproducts.com